



MAKER WORKS TECHNOLOGY INC  
Technique support: [support@makeblock.cc](mailto:support@makeblock.cc)  
[www.makeblock.cc](http://www.makeblock.cc)



:@Makeblock



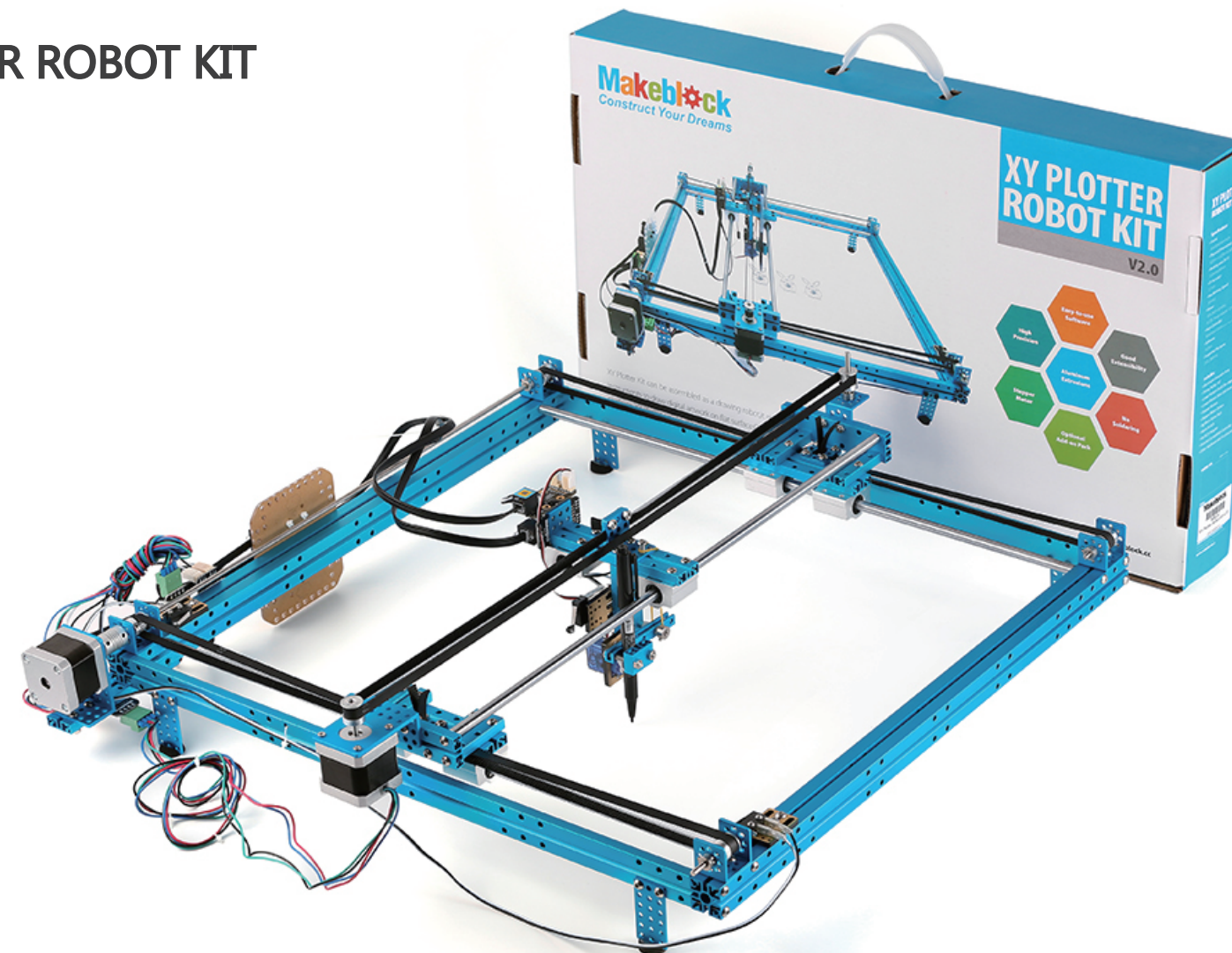
: @Makeblock



: +Makeblock






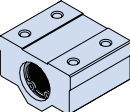
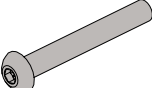
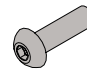



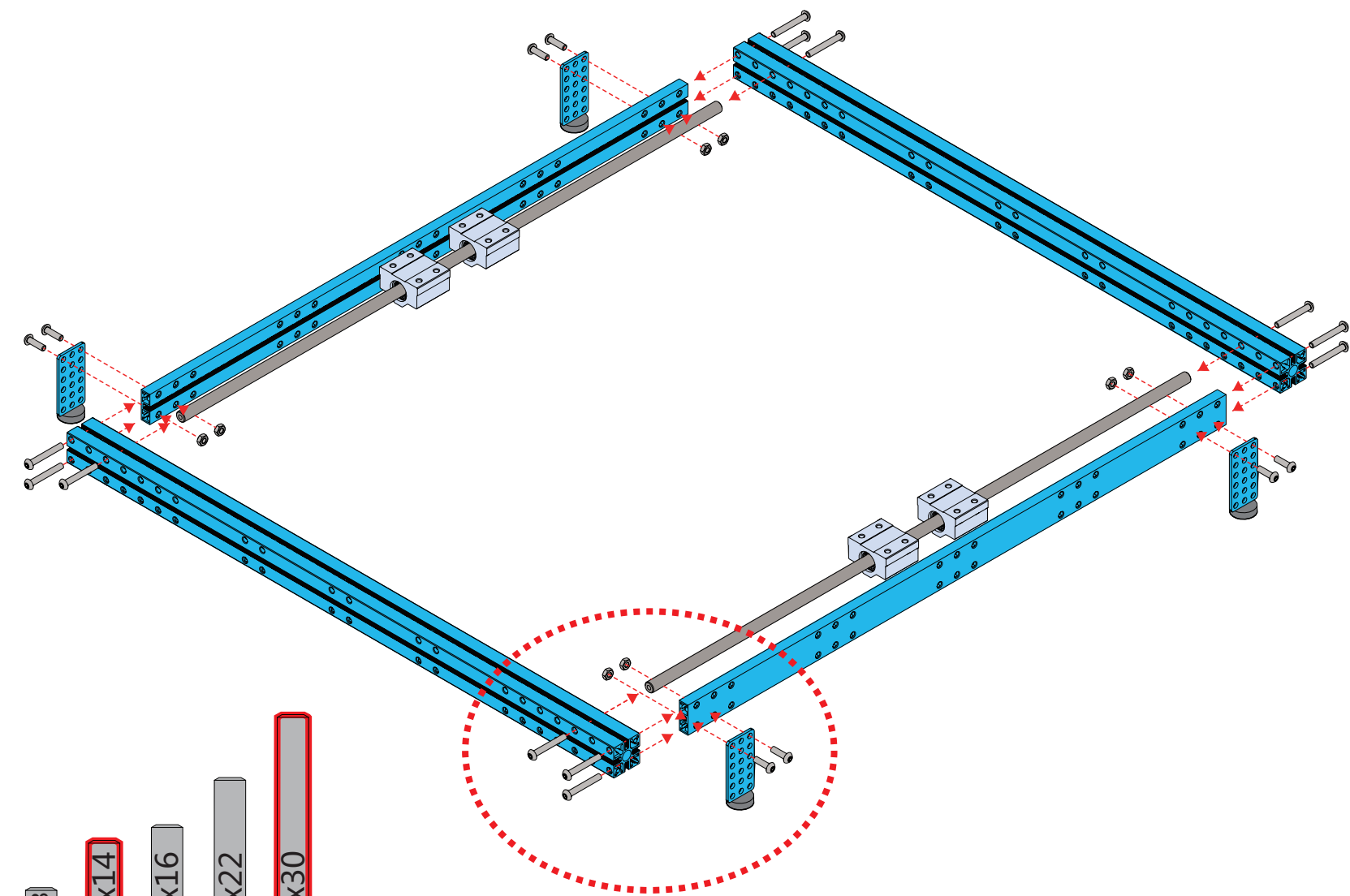
## XY PLOTTER ROBOT KIT








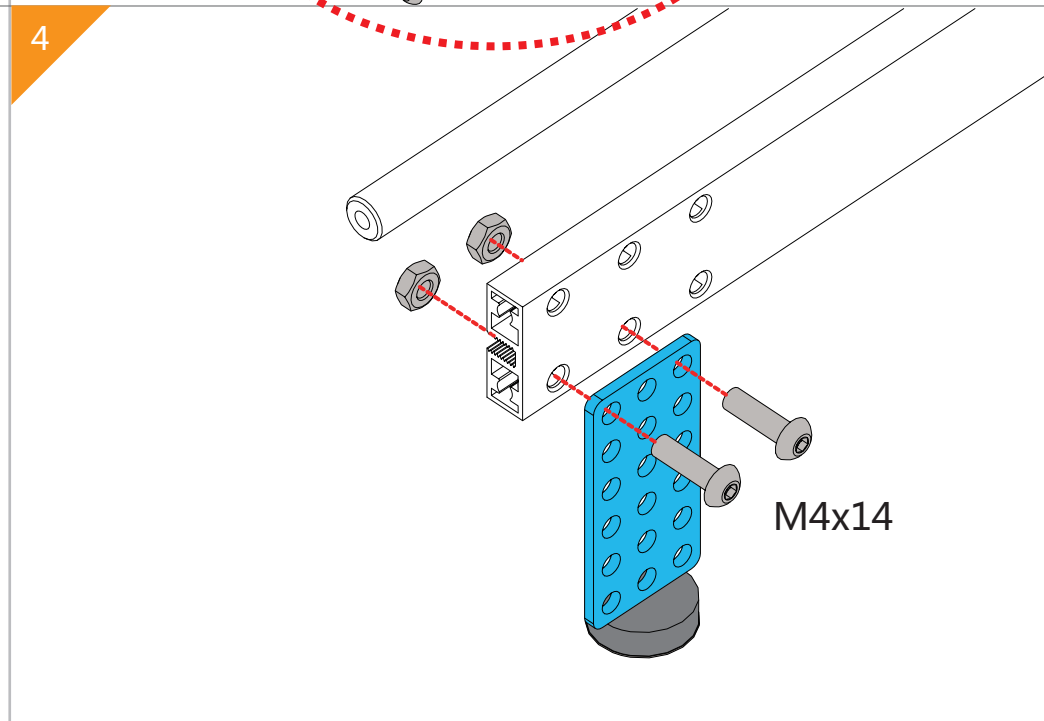
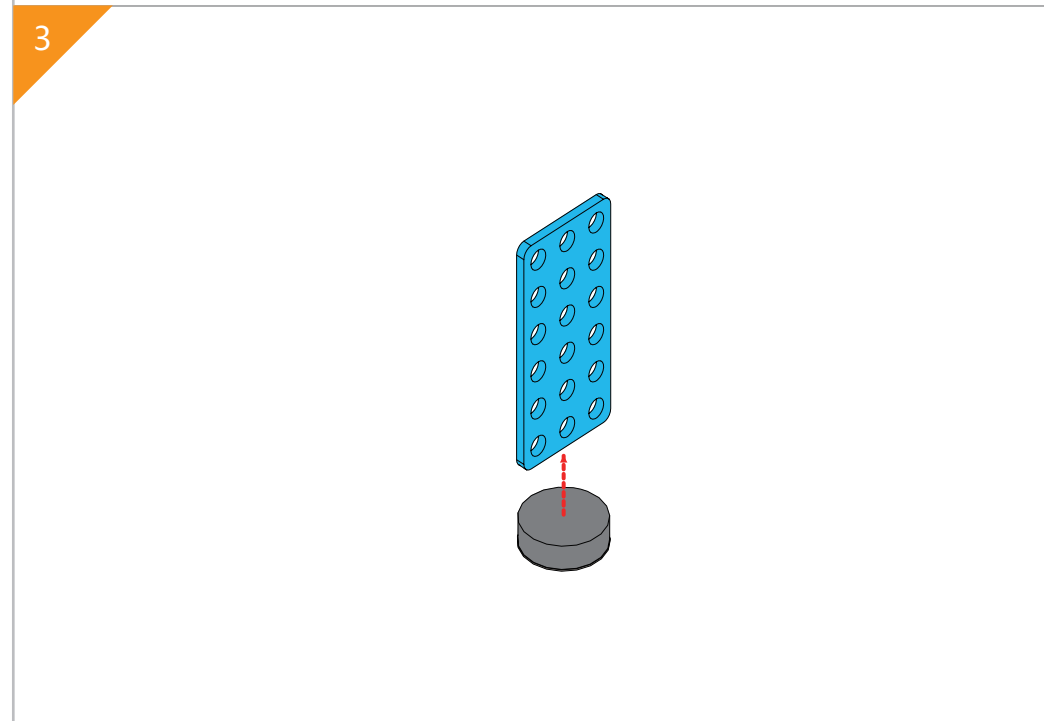
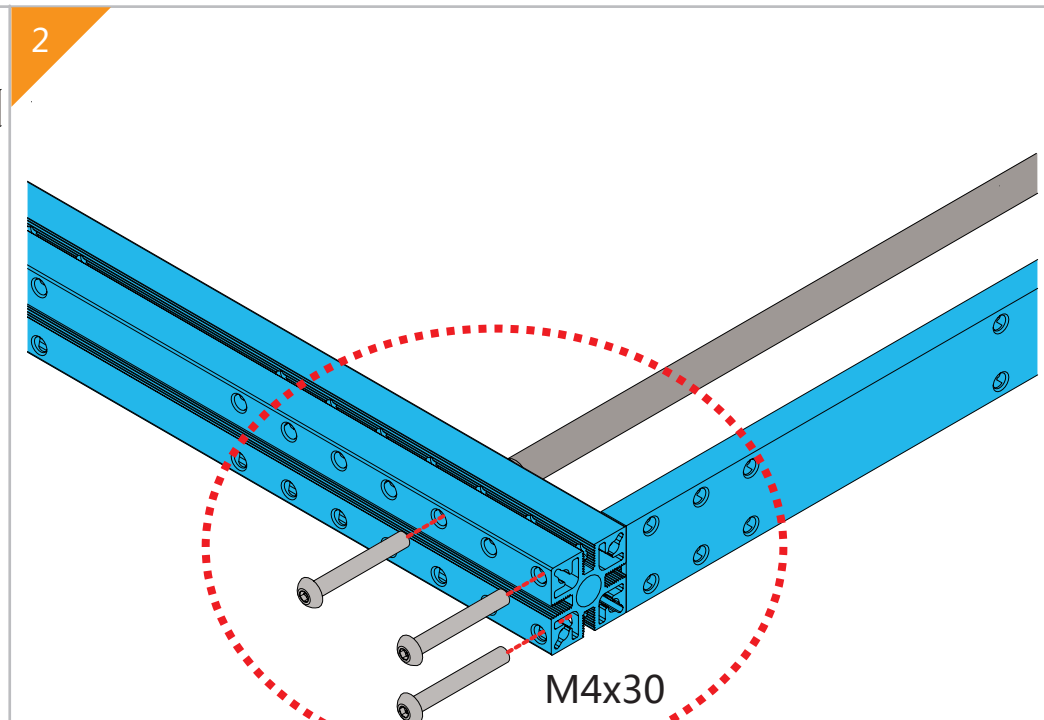
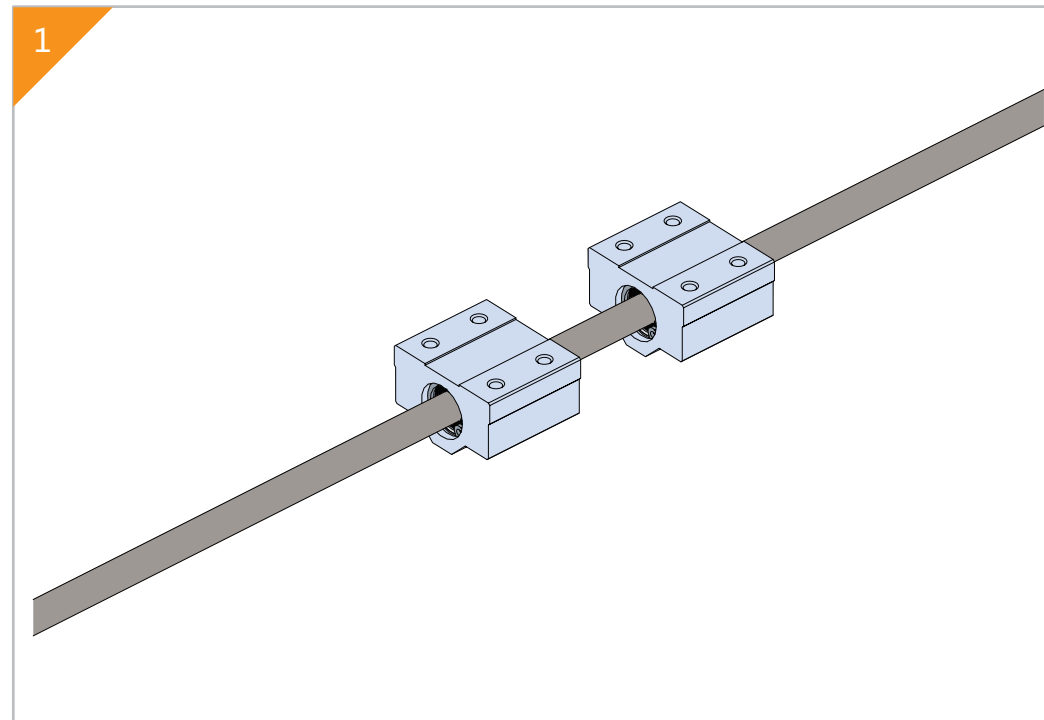
# Part Lists

|   |                      |   |                                 |   |                                 |   |                             |   |   |
|---|----------------------|---|---------------------------------|---|---------------------------------|---|-----------------------------|---|---|
|    | 1x Beam 0824-16      |    | 5x Bracket U1                   |    | 4x Linear Motion Shaft D8x496mm |     | 31x Screw M4x8              |     | 1x Orion                                |
|    | 4x Beam 0824-48      |    | 2x 42BYG Stepper Motor Bracket  |   |                                 |    | 21x Screw M4x14             |    | 30x Nylon Cable Ties                    |
|    | 1x Beam 0824-80      |    | 1x 9g Micro Servo Pack          |    | 10x Shaft Collar 4mm            |    | 15x Screw M4x16             |    | 2x Me Stepper Motor Driver              |
|    | 4x Beam 0824-96      |    | 2x 42BYG Stepper Motor          |    | 1x Flexible coupling 4x4mm      |    | 12x Screw M4x22             |    | 4x Me Micro Switch B                    |
|    | 2x Beam 0824-112     |    | 6x Timing Pulley 18T            |    | 6x Linear Motion Slide Unit 8mm |    | 18x Screw M4x30             |    | 3x Me RJ25 Adapter                      |
|    | 2x Beam 0824-496     |    | 3x Open-end Timing Belt(1.3)    |    | 10x Flange Bearing 4x8x3mm      |    | 10x Countersunk Screw M3x8  |    | 1x Wall Adapter Power Supply-12VDC      |
|    | 1x Beam 0808-72      |   | 1x Threaded Shaft 4x39mm        |    | 4x Plastic Ring 4x7x2mm         |    | 26x Headless Set Screw M3x5 |    | 2x 6P6C RJ25 Cable-20cm                 |
|   | 2x Beam 2424-504     |  | 2x D Shaft 4x56mm               |   | 1x Cross & 2.5 HEX Screwdriver  |    | 50x Nut M4                  |    | 2x 6P6C RJ25 Cable-35cm                 |
|  | 5x Plate 3x6         |  | 1x Linear Motion Shaft D4x80mm  |  | 2x HEX Allen Key 1.5mm          |  | 16x Plastic Rivet R4060     |  | 2x 6P6C RJ25 Cable-50cm                 |
|  | 1x Belt Connector    |  | 1x Linear Motion Shaft D4x512mm |  | 1x Wrench 7mm&5mm               |  | 6x Plastic Rivet R4100      |  | 1x USB 2.0 A-Male to Micro B-Male Cable |
|  | 4x Cutable Linkage 3 |   |                                 |  | 1x Base Bracket B               |  | 5x Rubber band              |  | 1x Micro Switch Cable-90cm              |
|  | 2x Bracket 3x3       |   |                                 |   |                                 |  | 4x Foot pad                 |   |   |

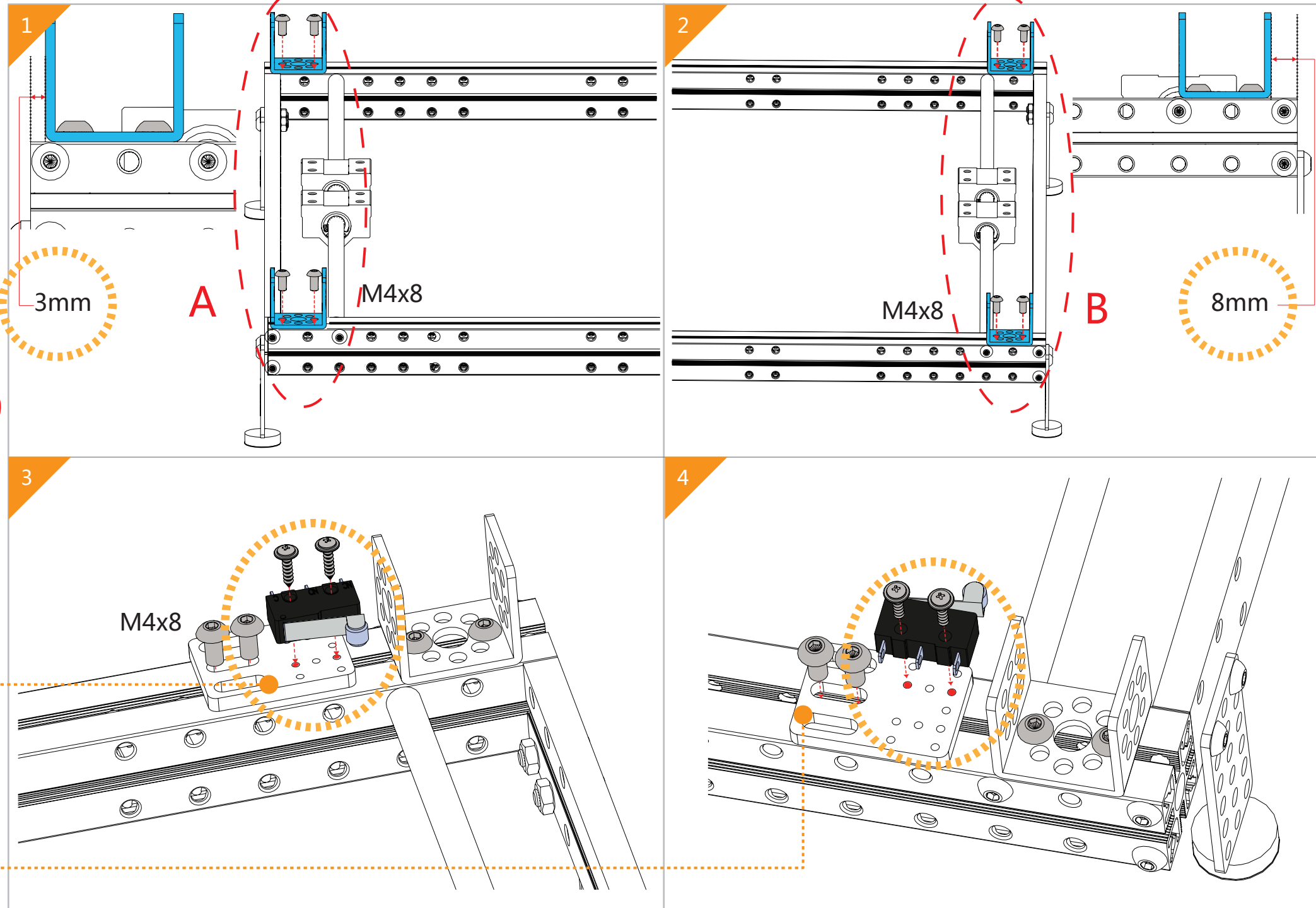
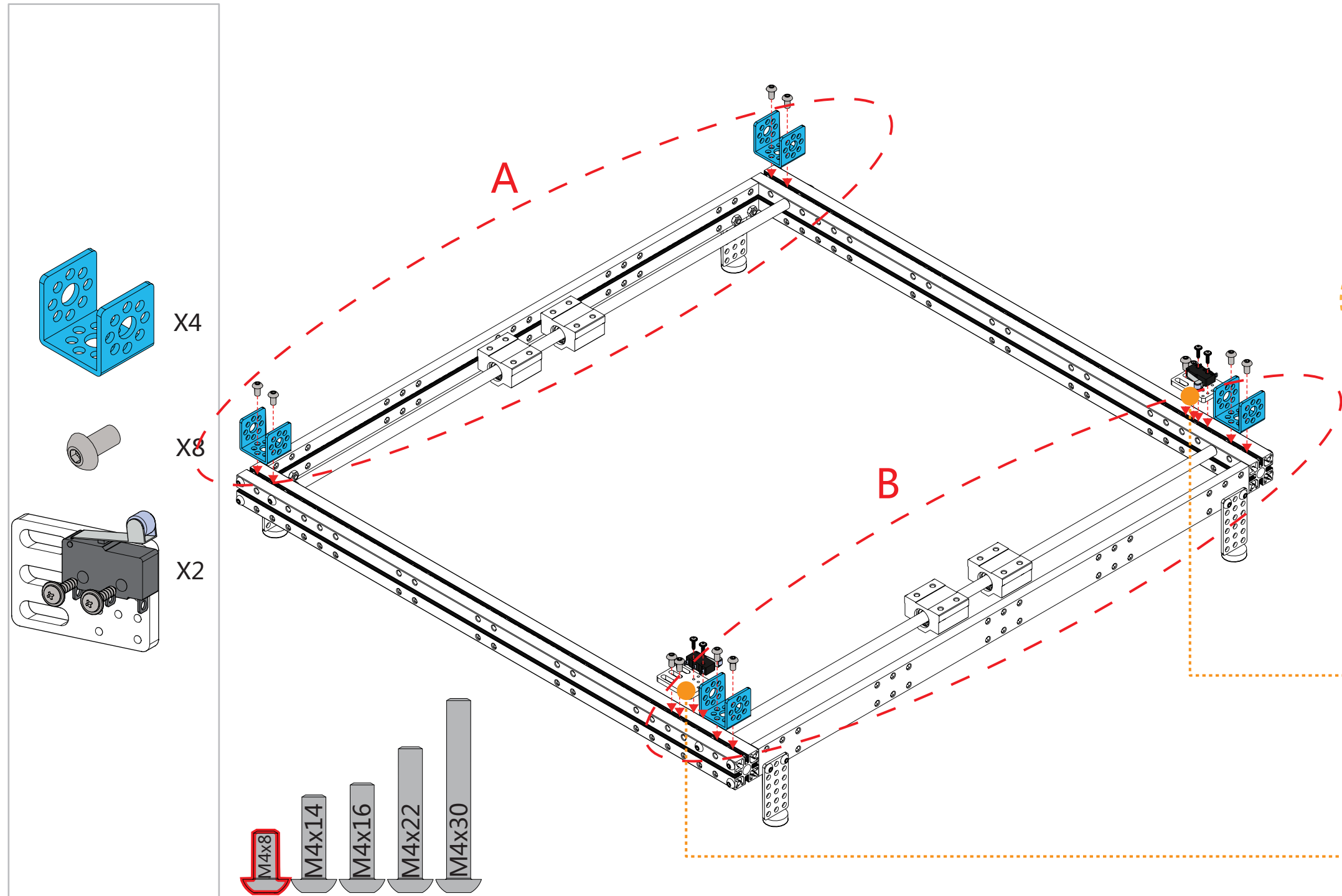
-  X2
-  X2
-  X2
-  X4
-  X4
-  X4
-  X12
-  X8
-  X8



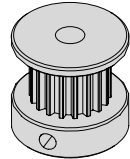
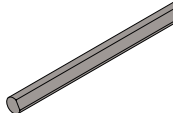
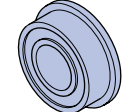
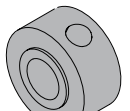

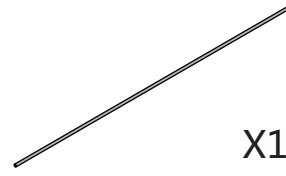
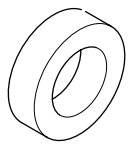
-  M4x8
-  M4x14
-  M4x16
-  M4x22
-  M4x30

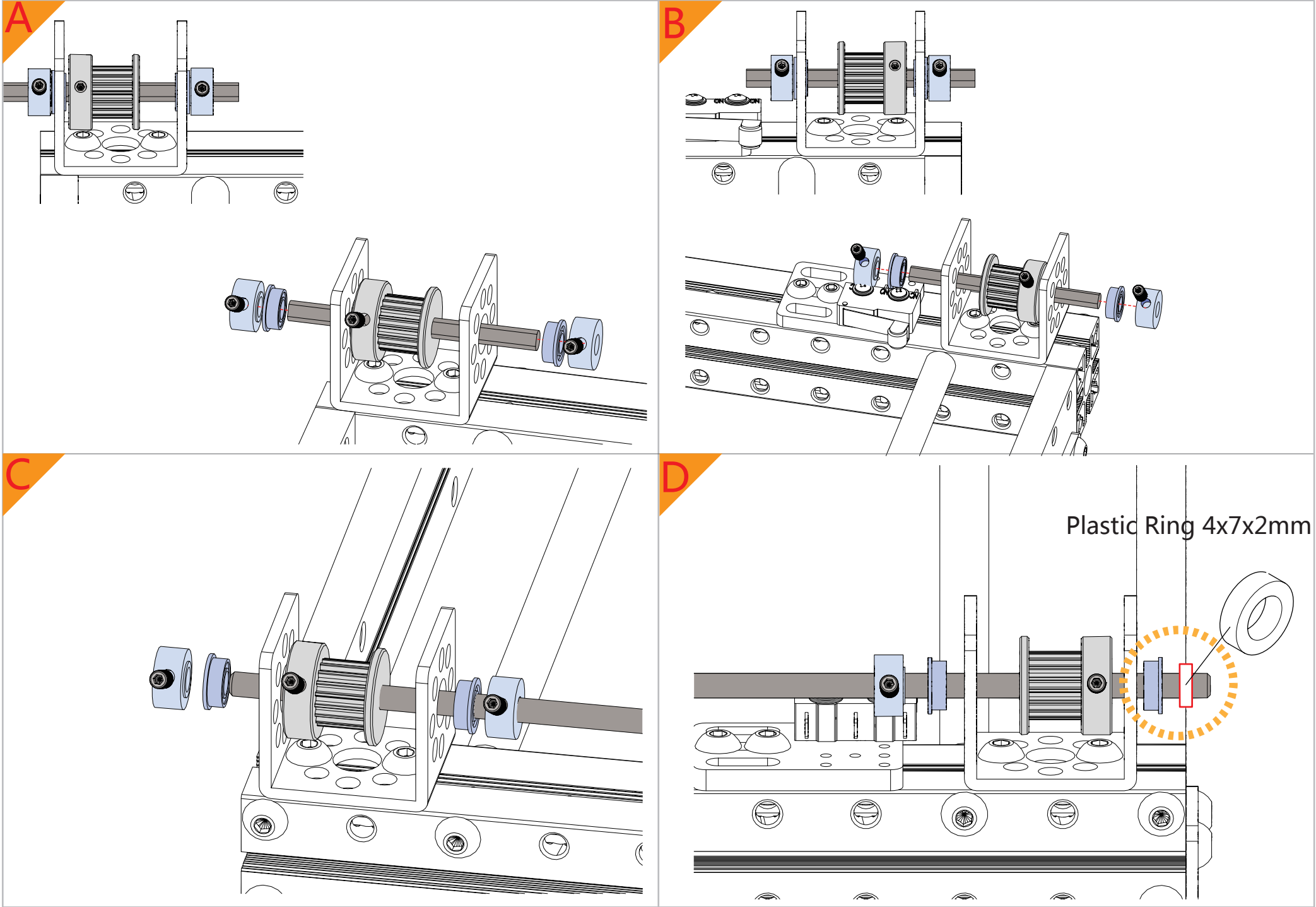
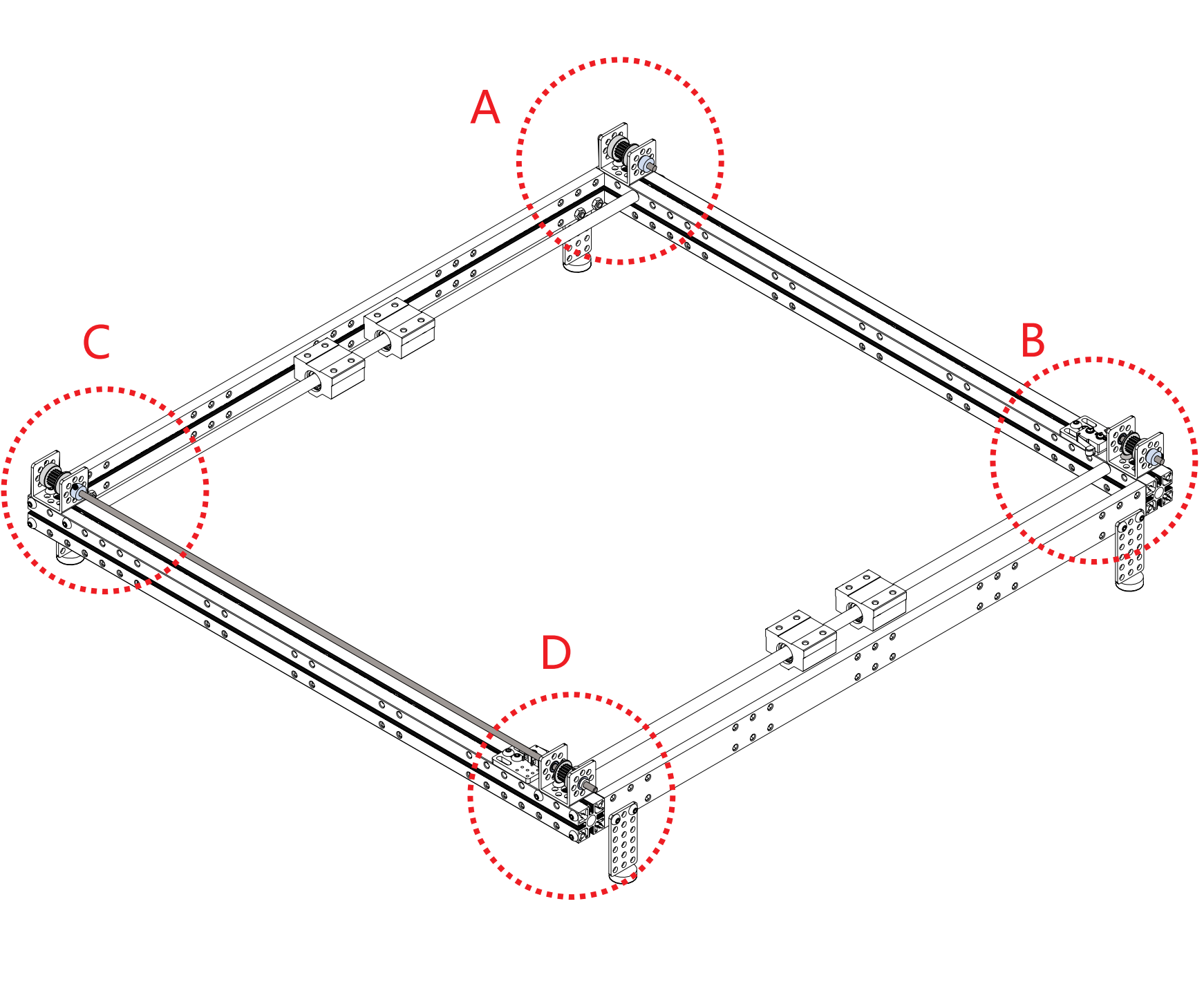


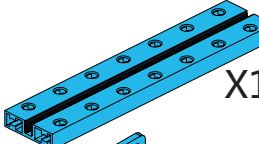
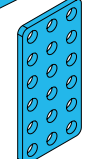
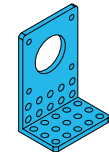
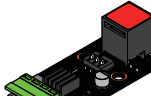
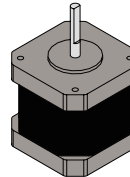
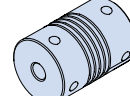
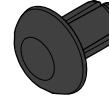
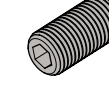
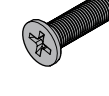
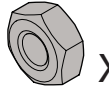
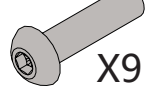


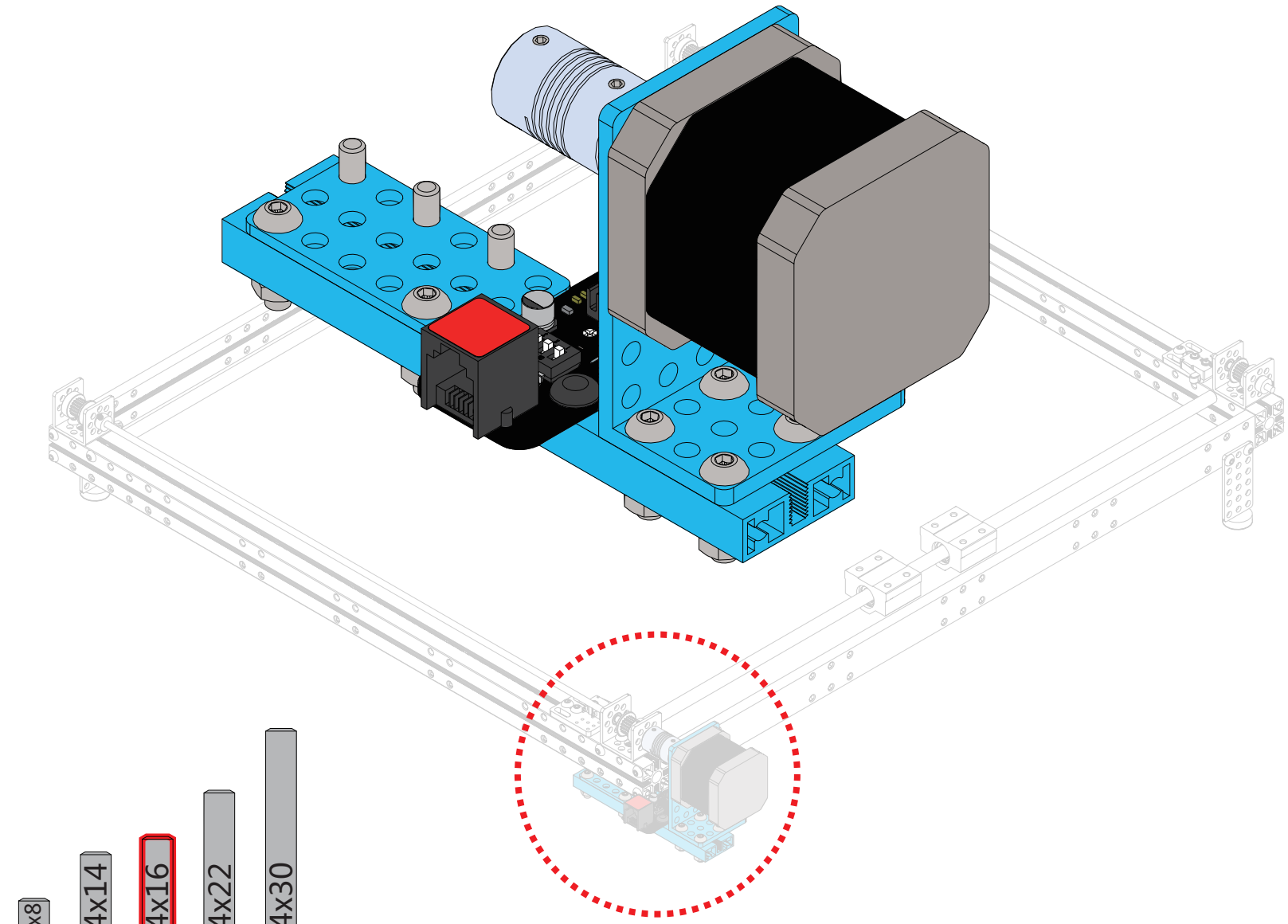









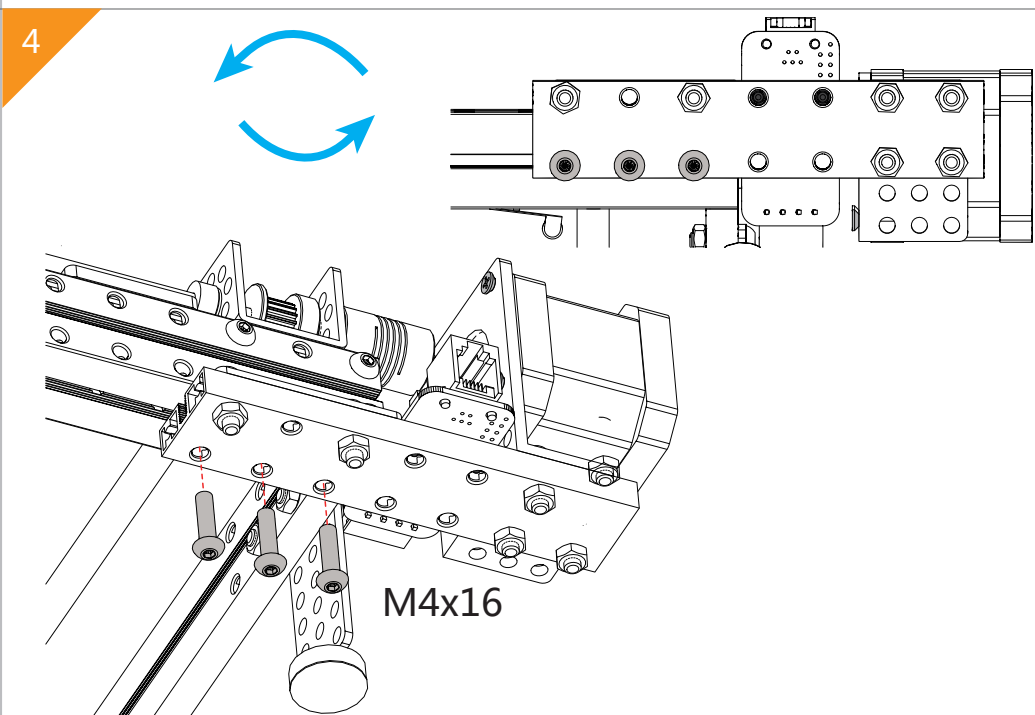
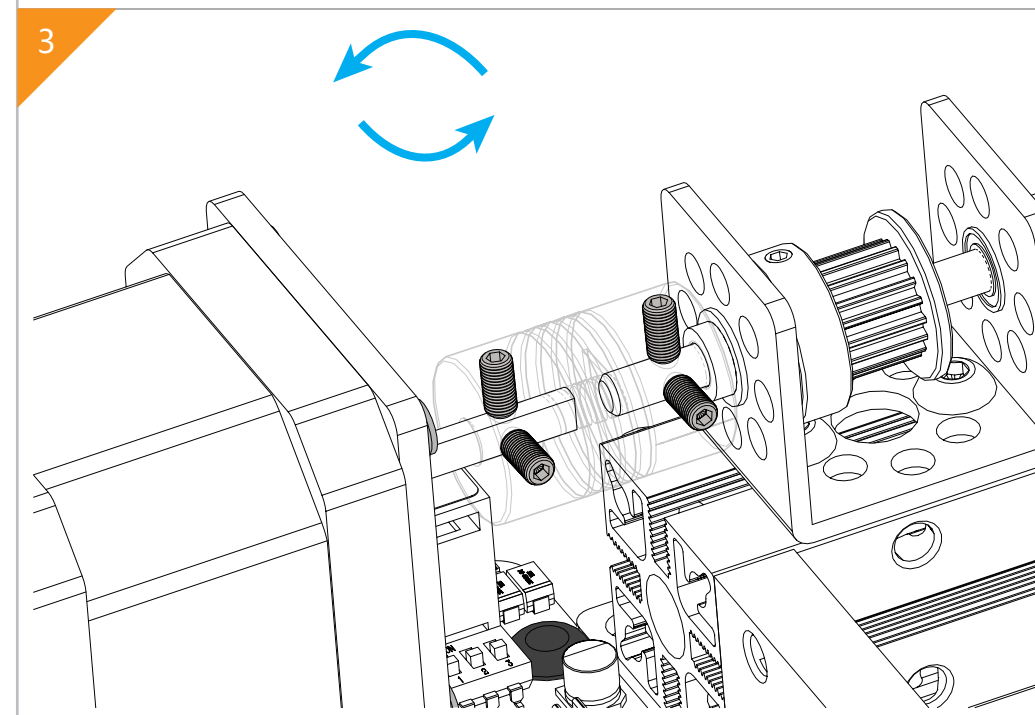
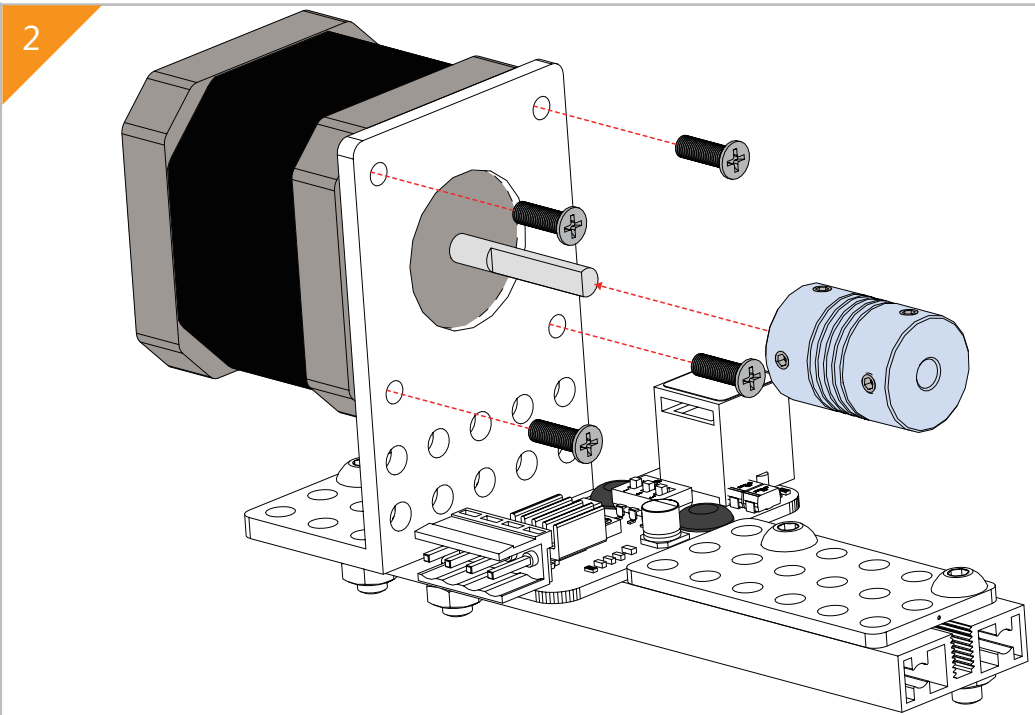
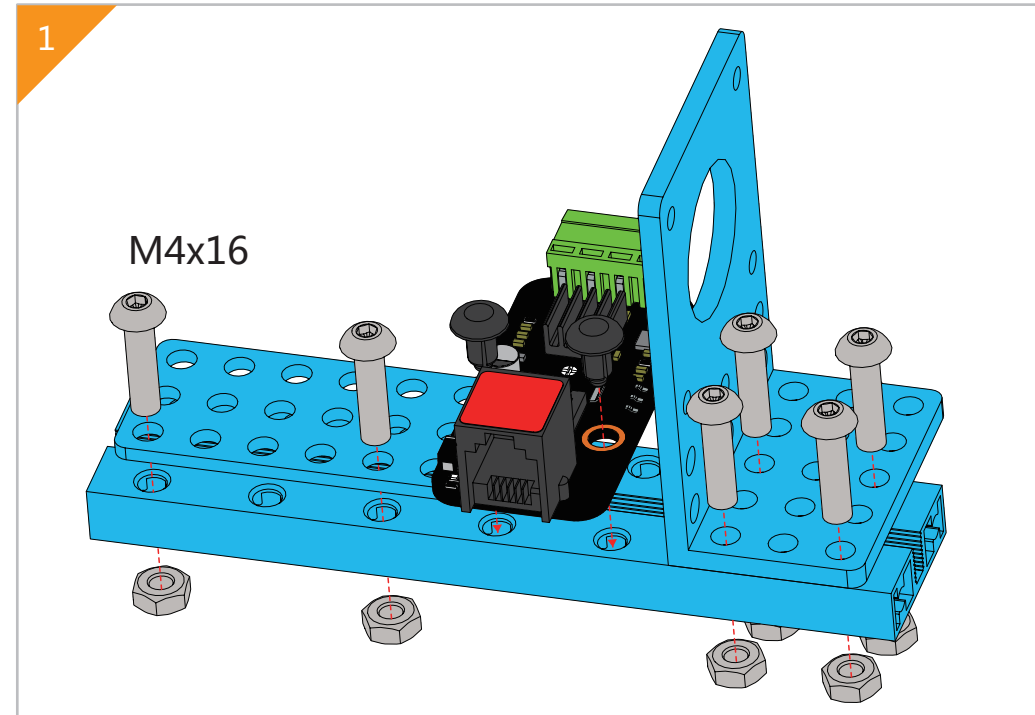
-  X4
-  X2
-  X8
-  X7
-  X11
-  X1
-  X1



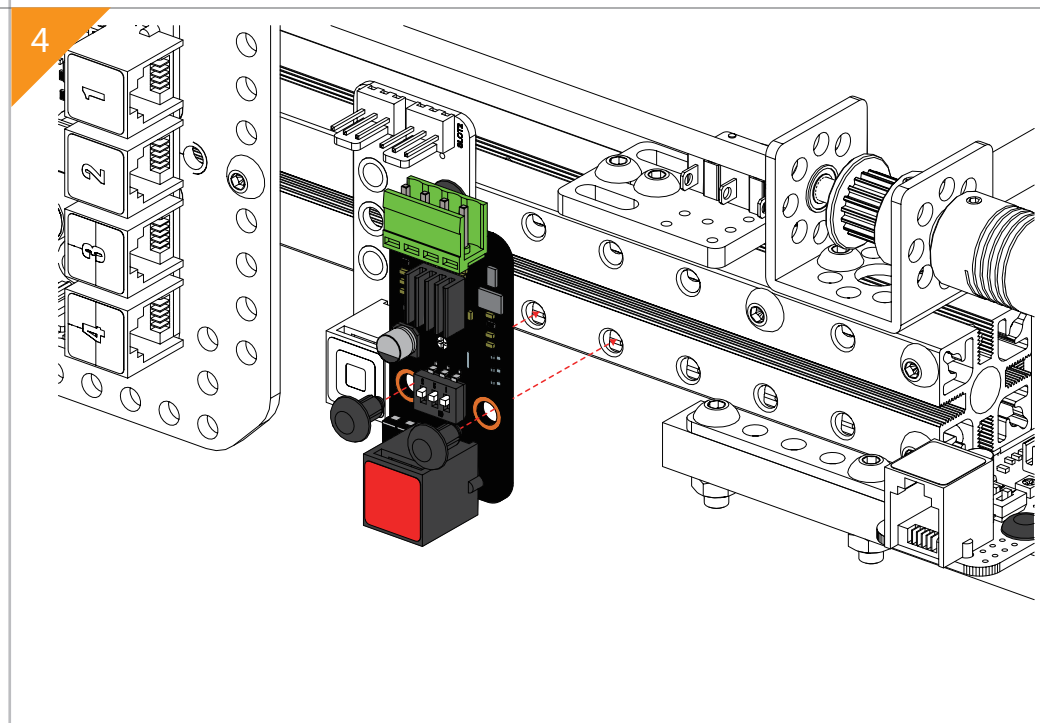
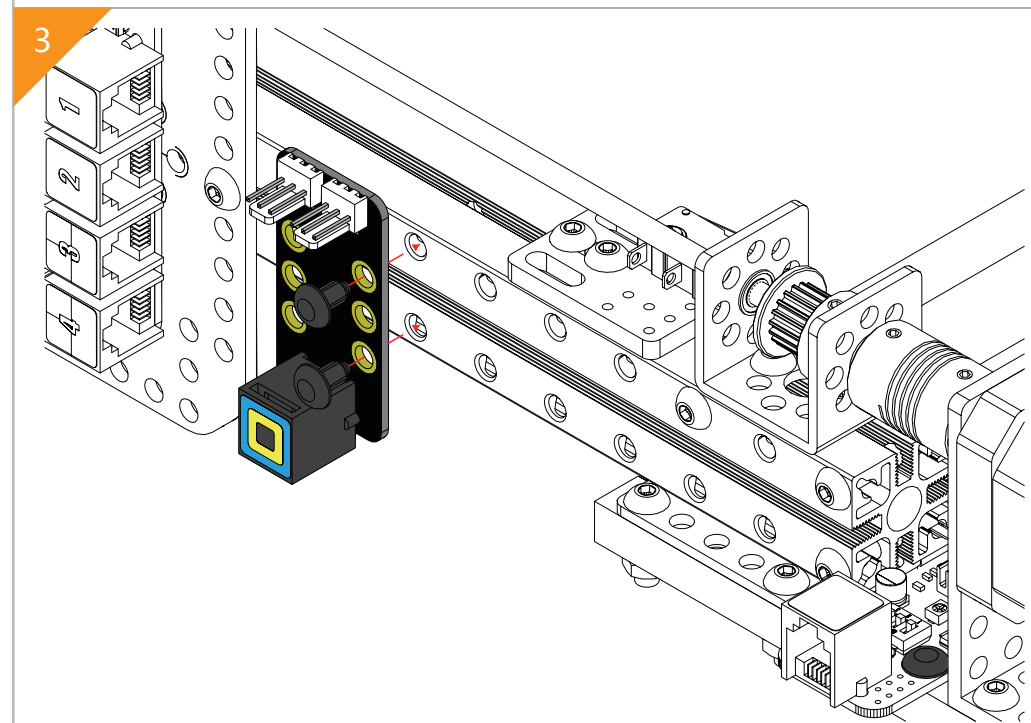
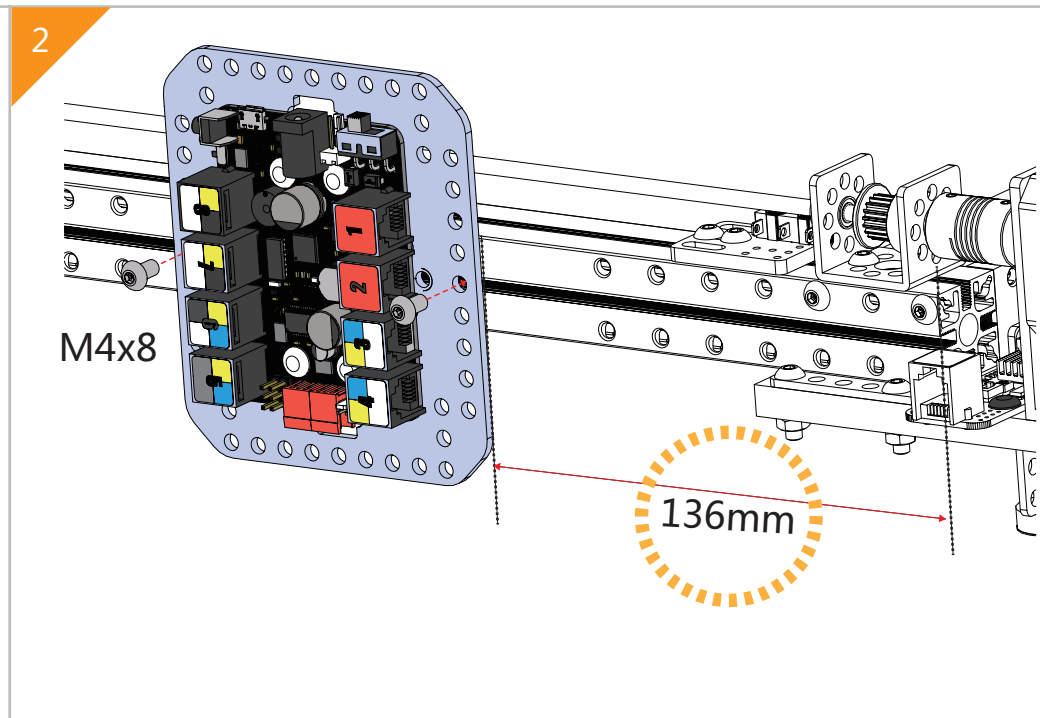
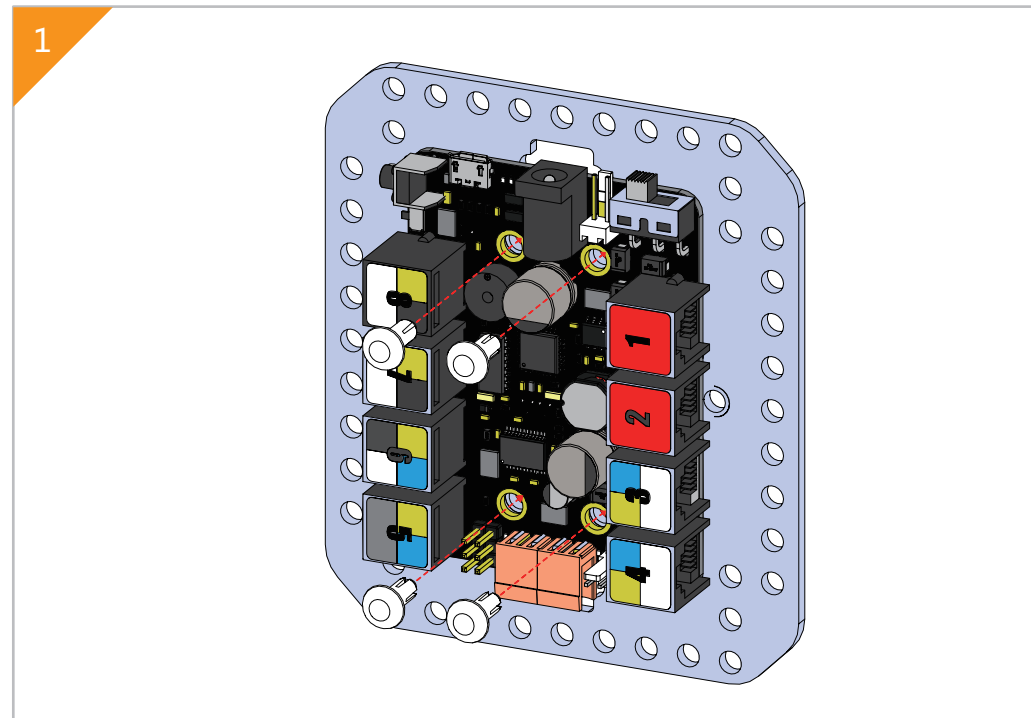
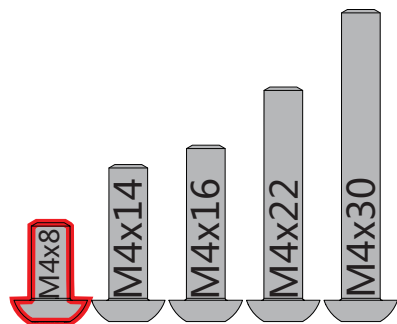
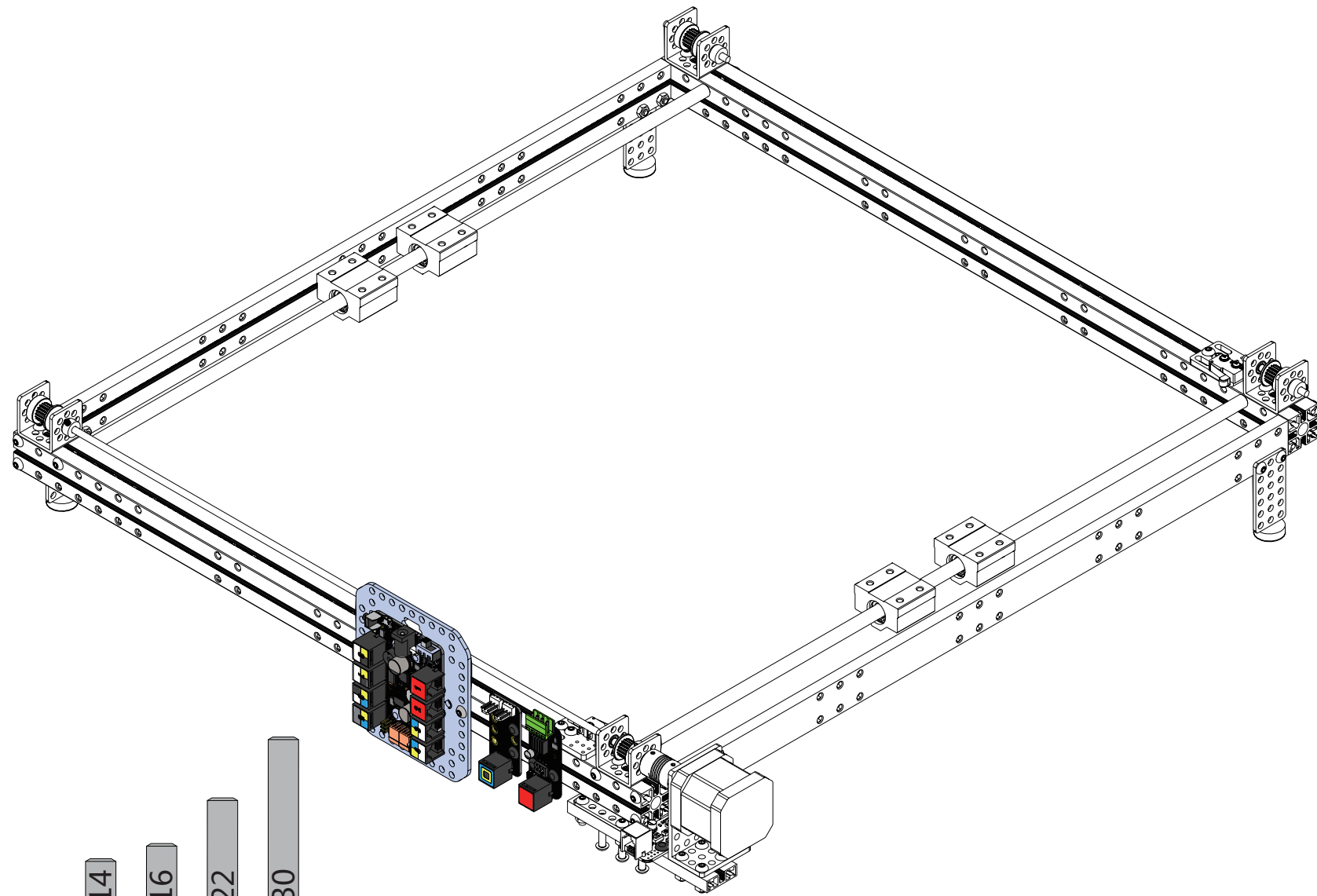
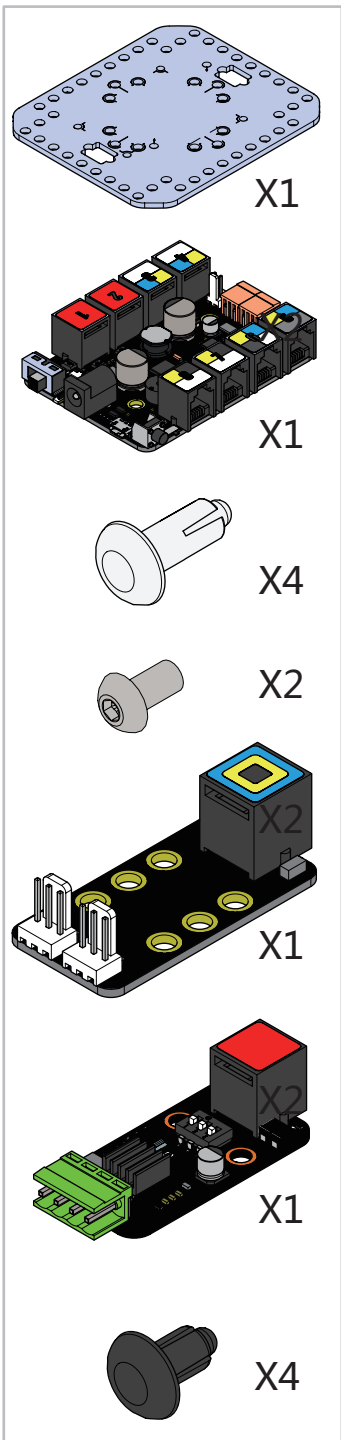
-  X1
-  X1
-  X1
-  X1
-  X1
-  X1
-  X2
-  X4
-  X4
-  X6
-  X9



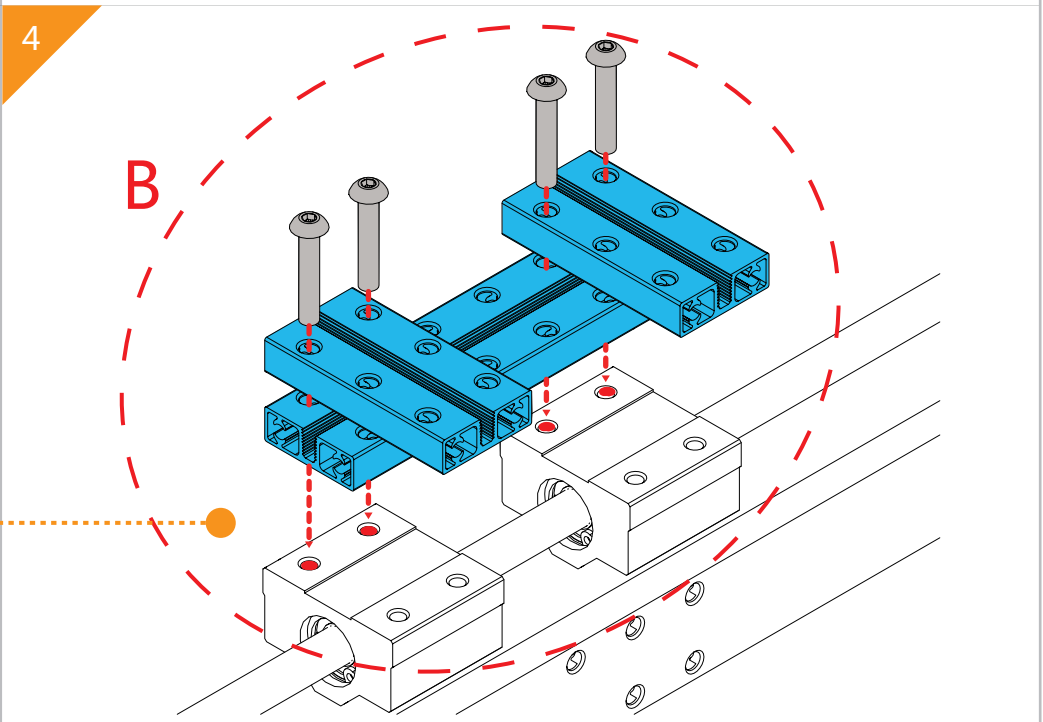
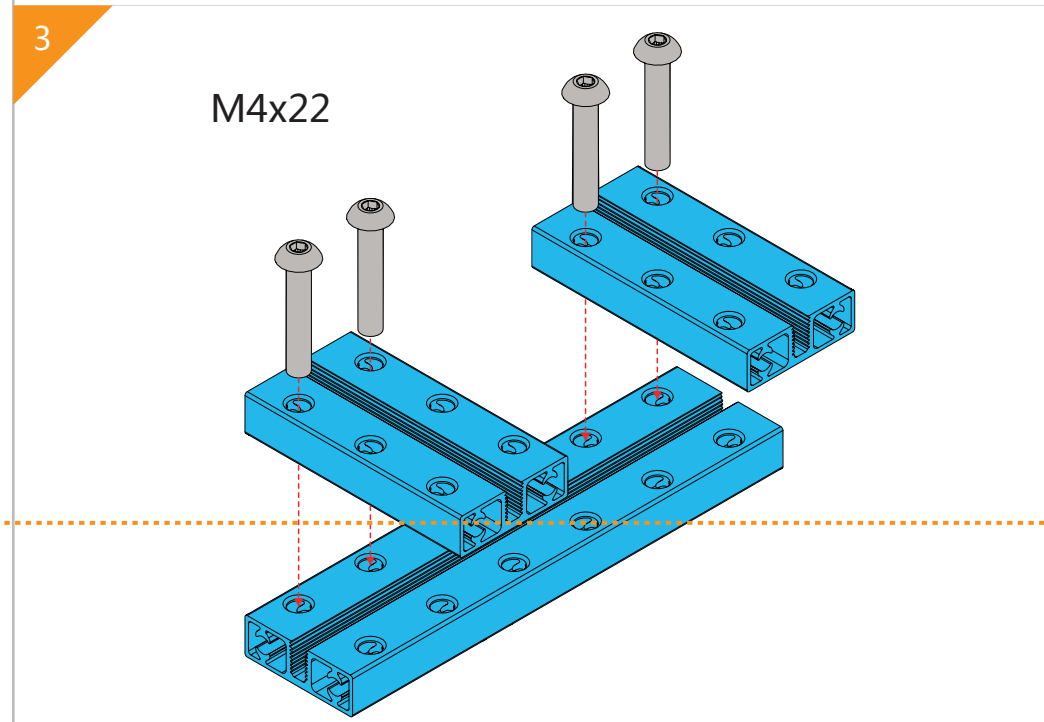
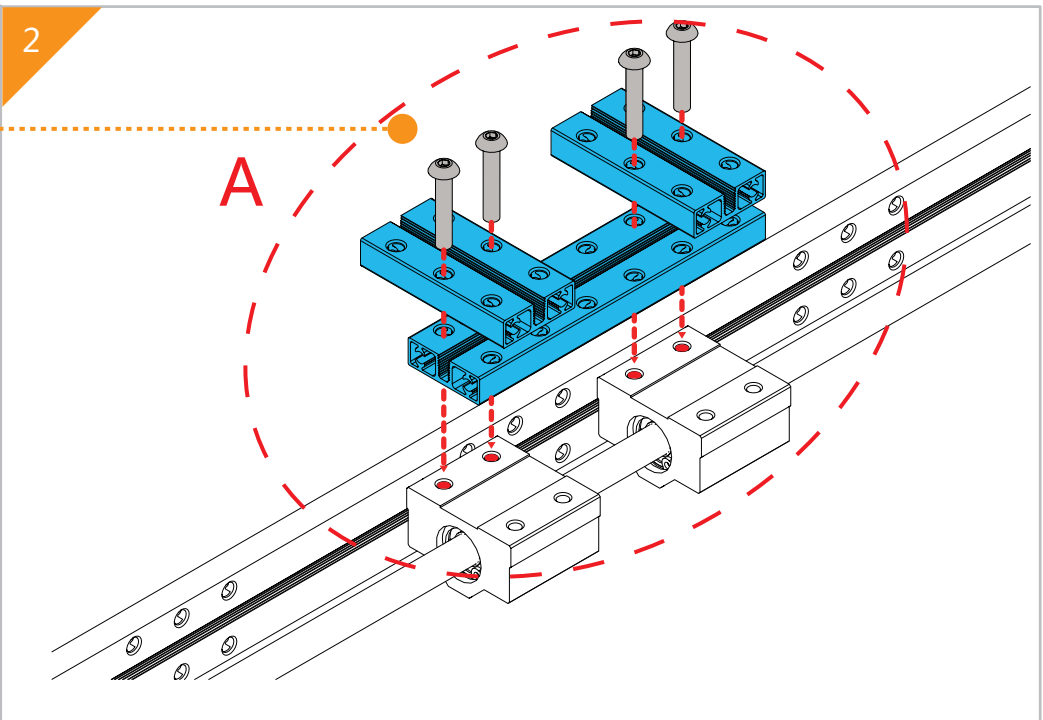
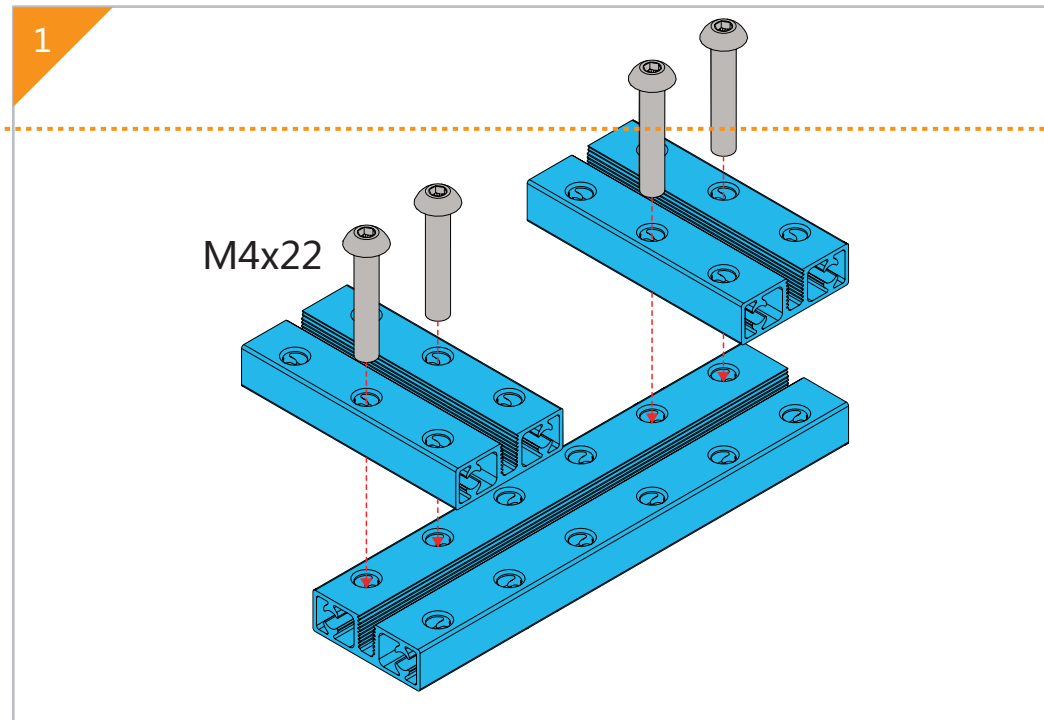
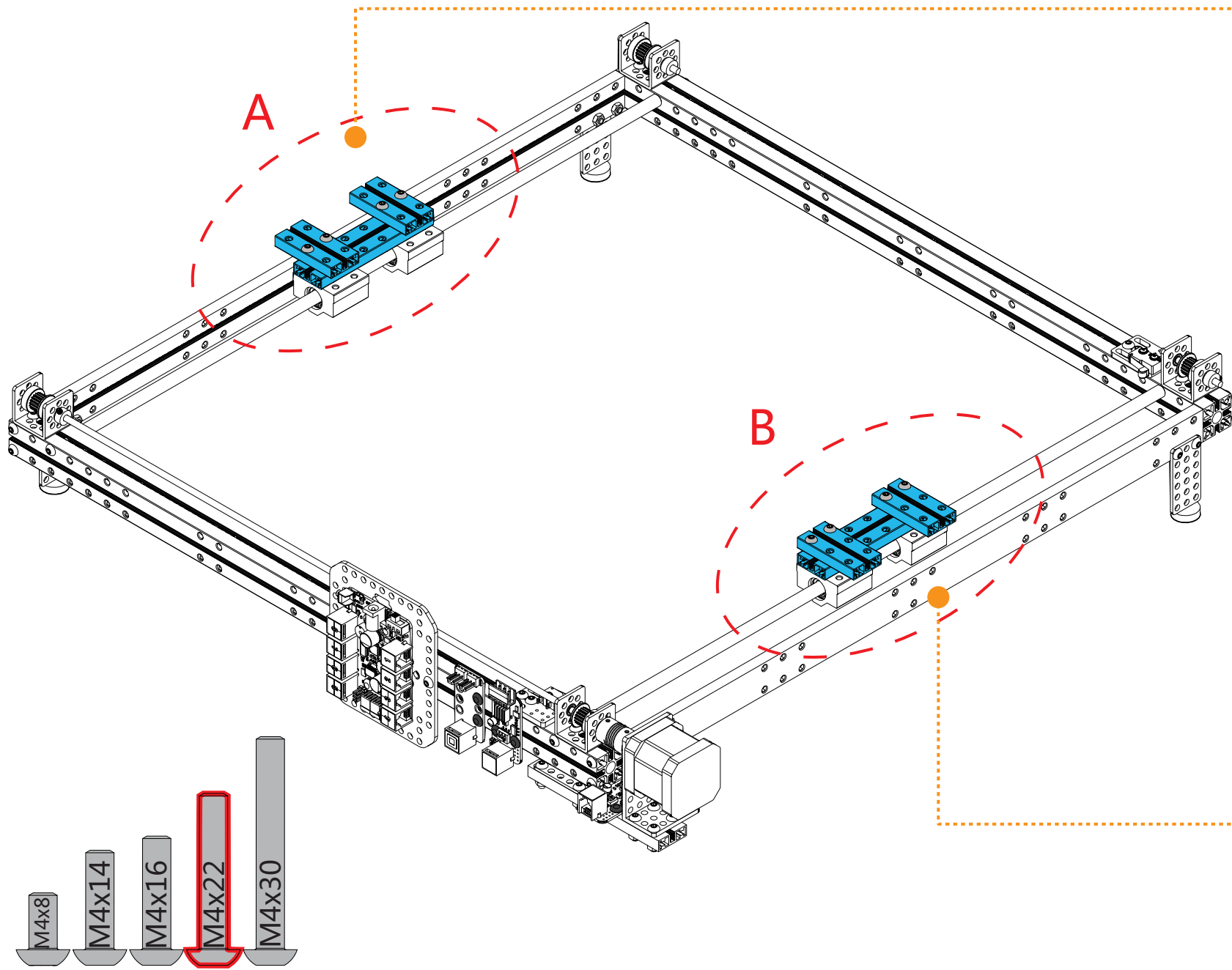
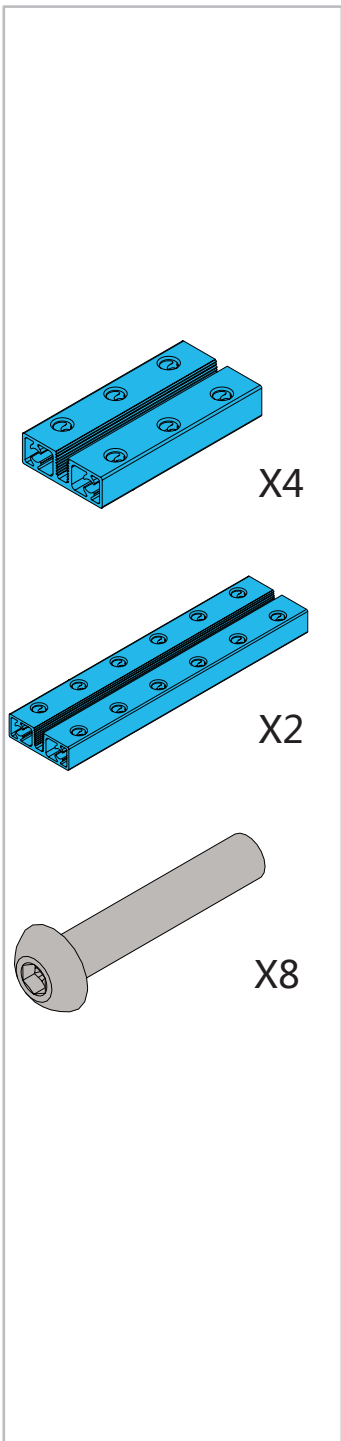
-  M4x8
-  M4x14
-  M4x16
-  M4x22
-  M4x30

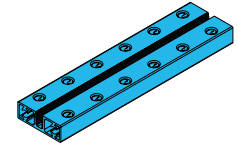
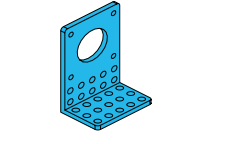
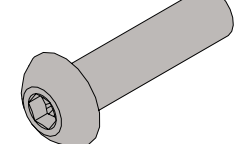
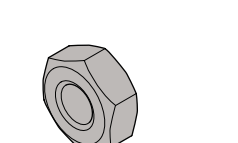
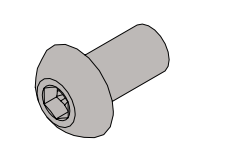
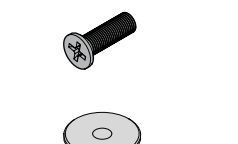
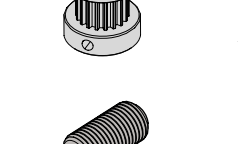
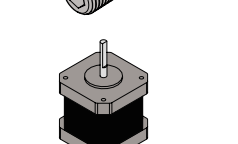
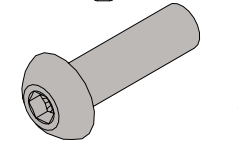



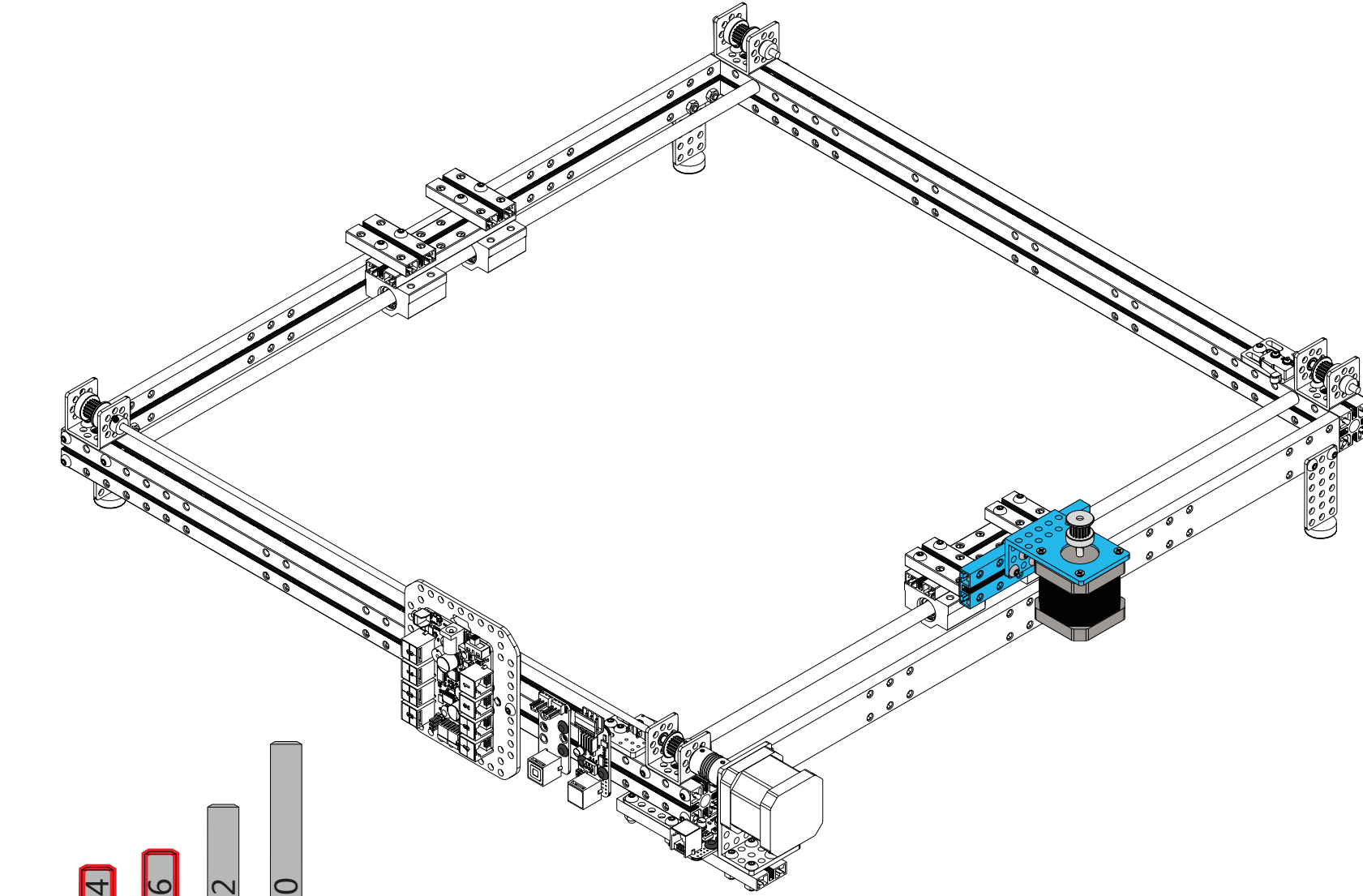









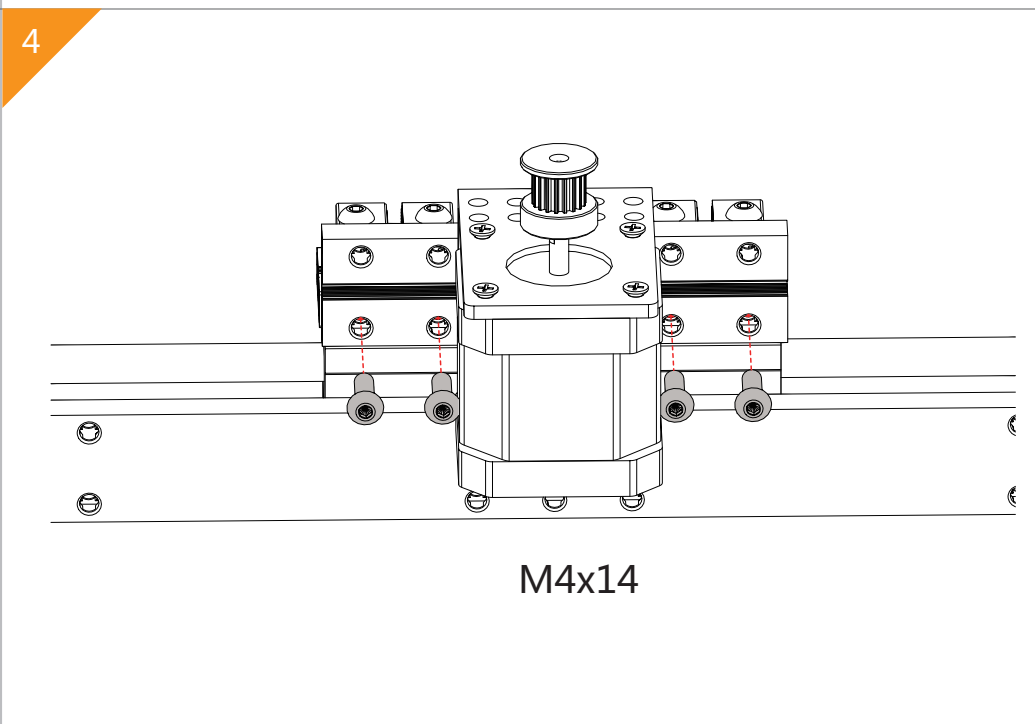
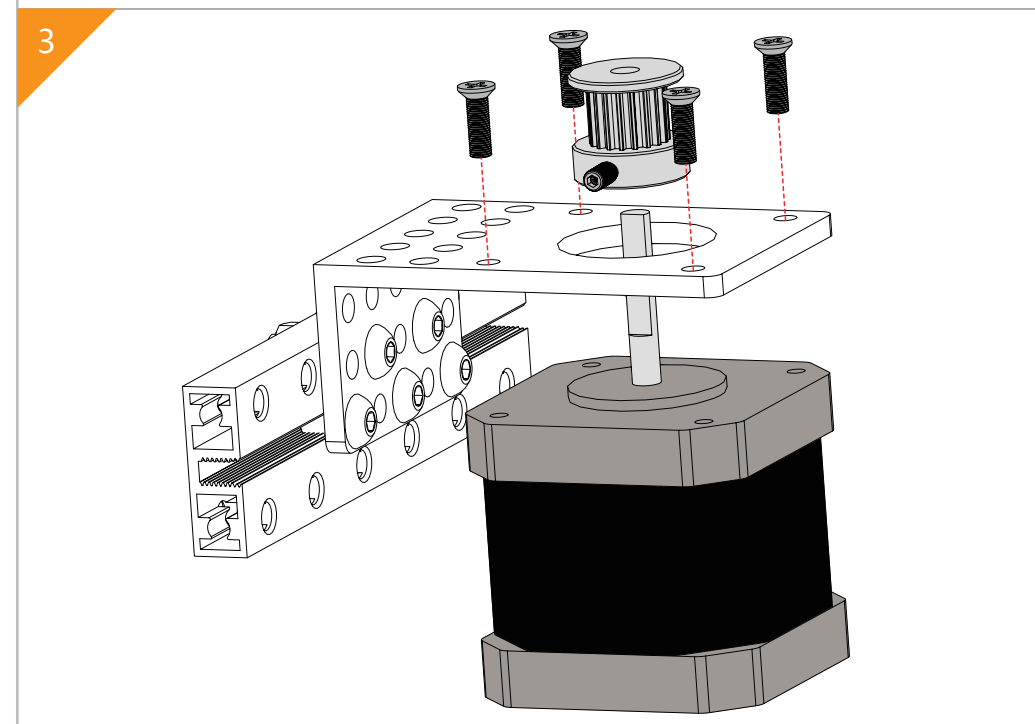
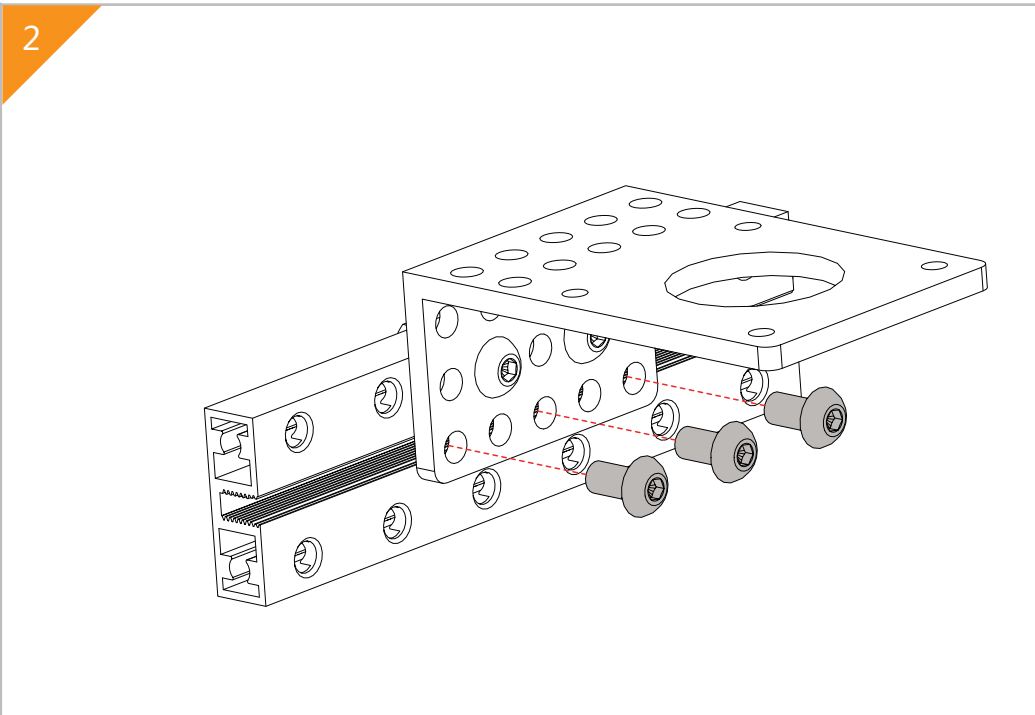
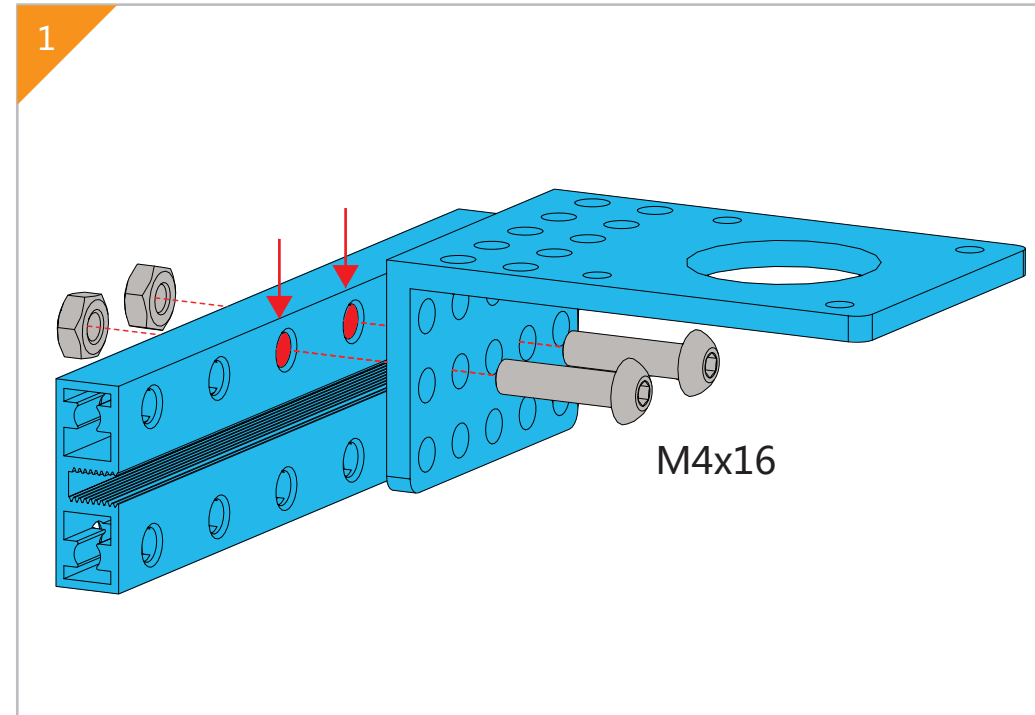


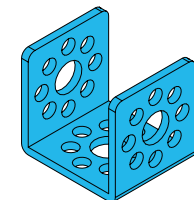
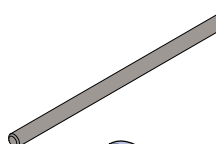
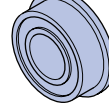
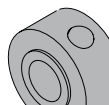

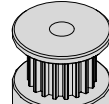
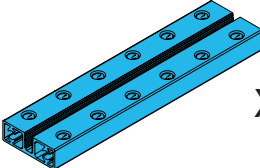
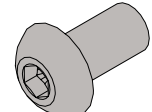
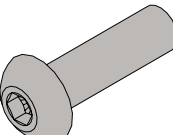


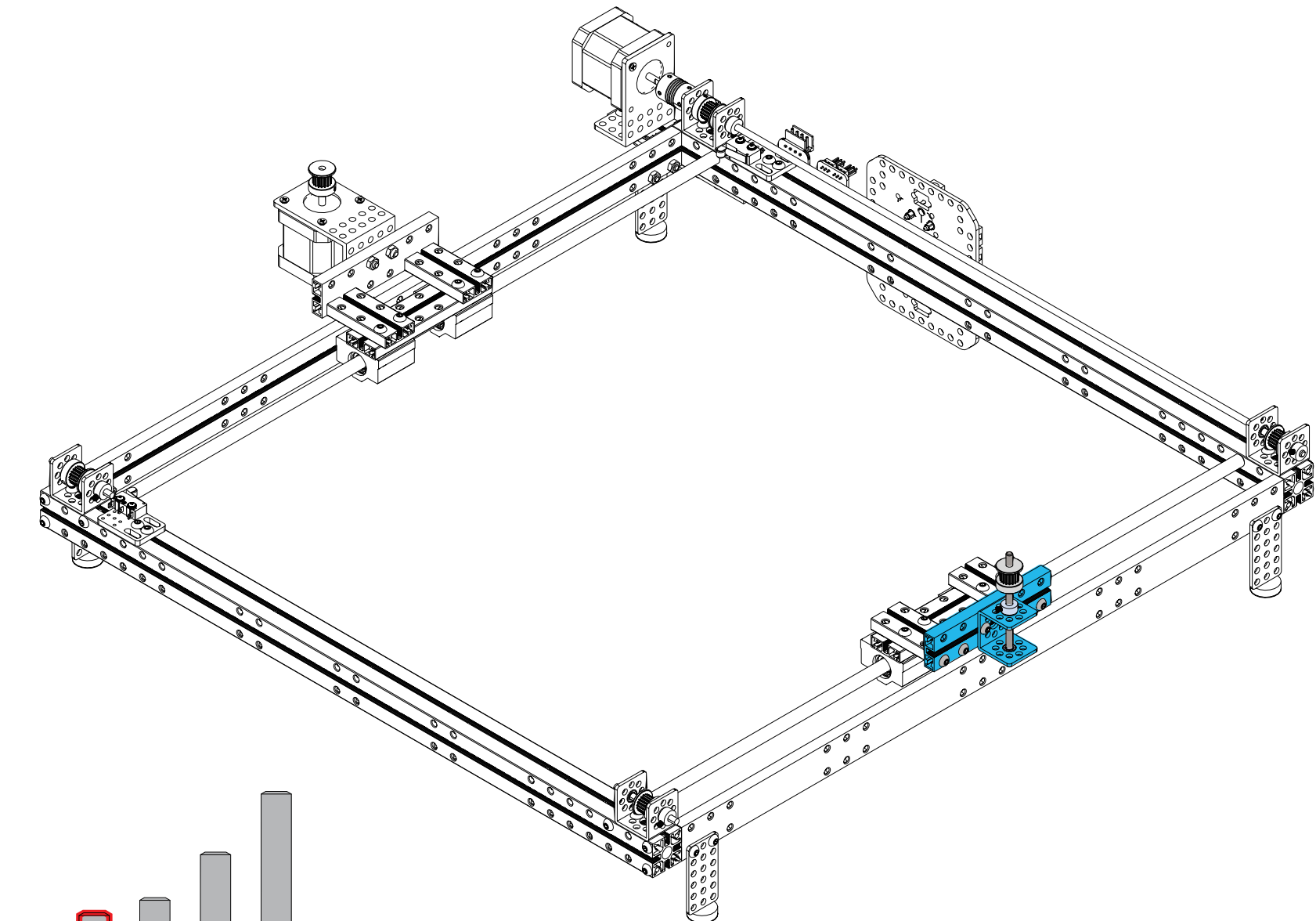
-  X1
-  X1
-  X2
-  X2
-  X3
-  X4
-  X1
-  X1
-  X1
-  X4








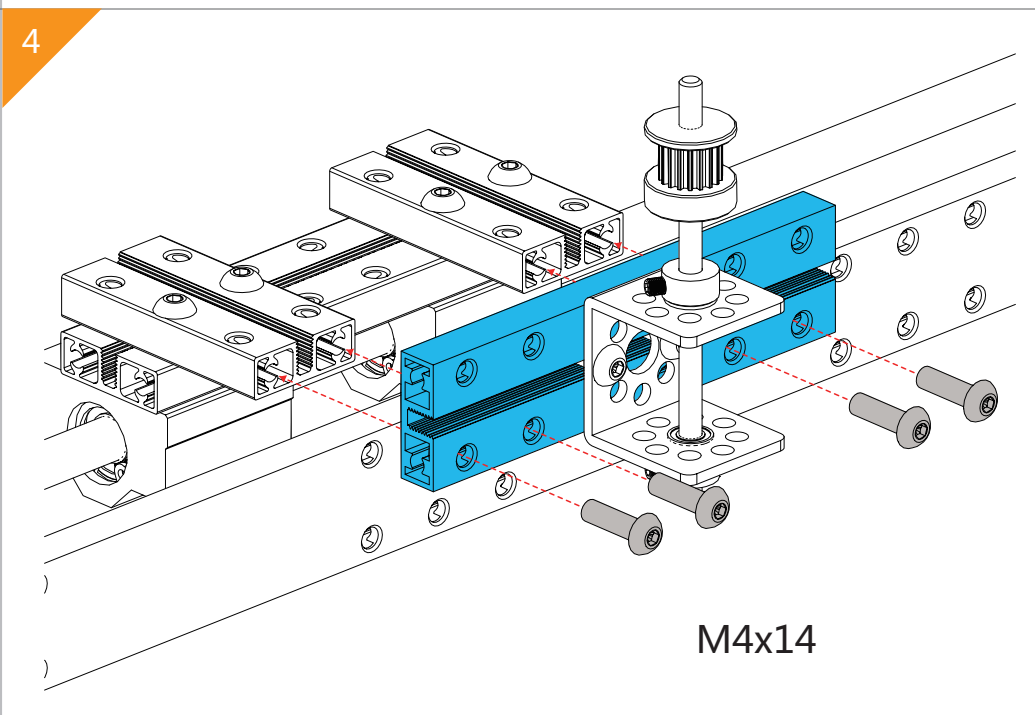
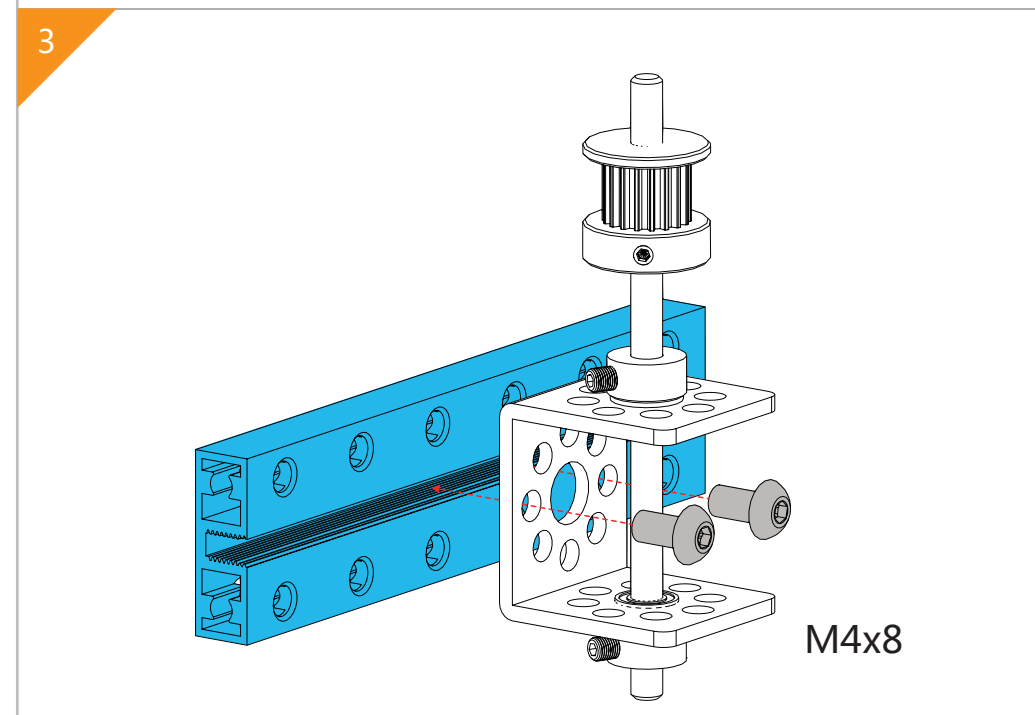
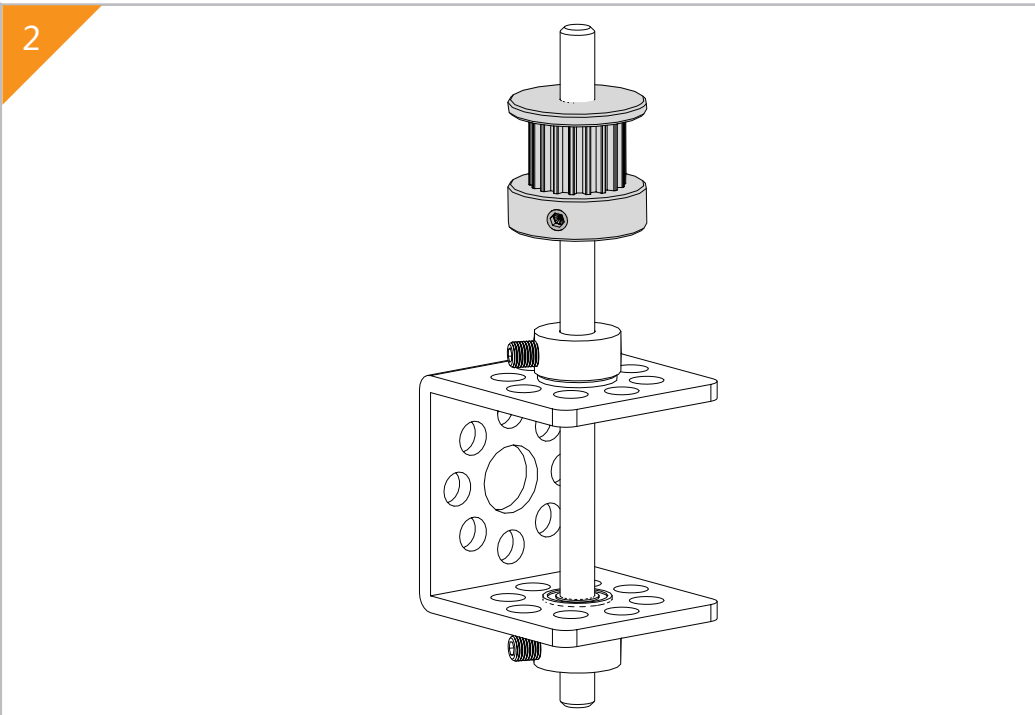
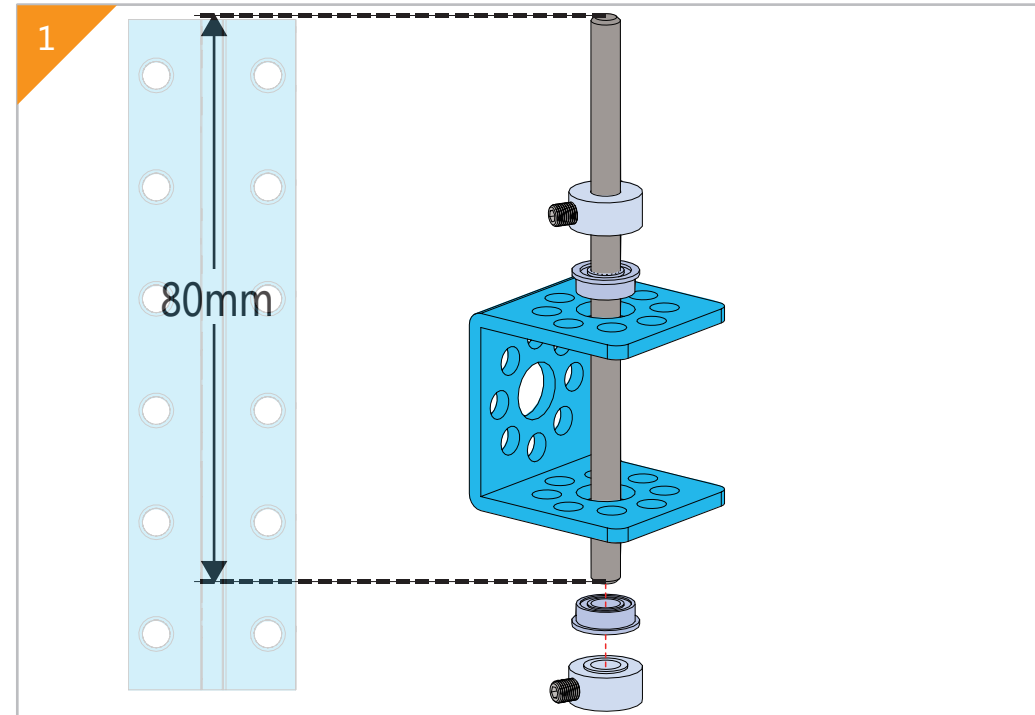
-  M4x8
-  M4x14
-  M4x16
-  M4x22
-  M4x30



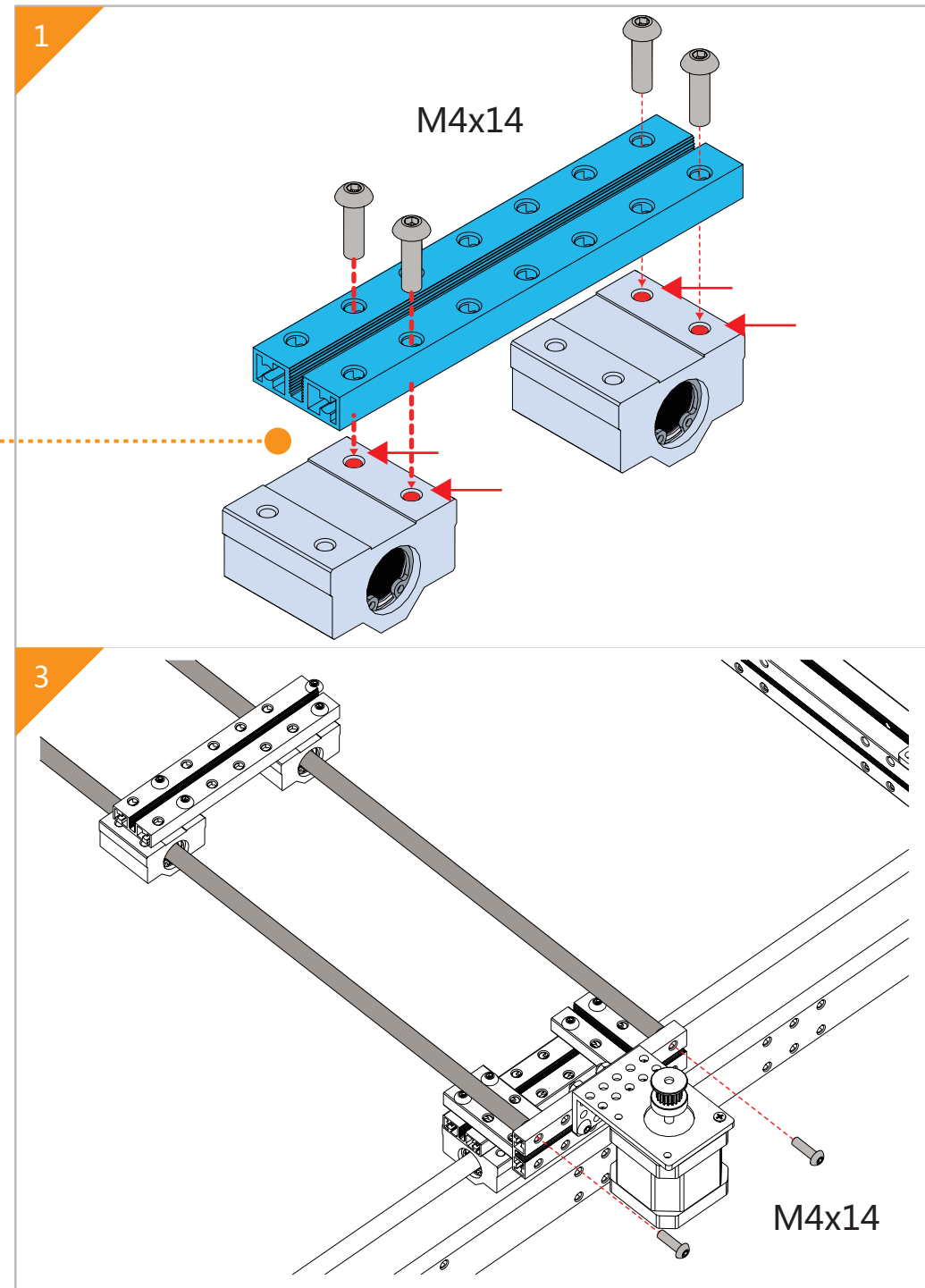
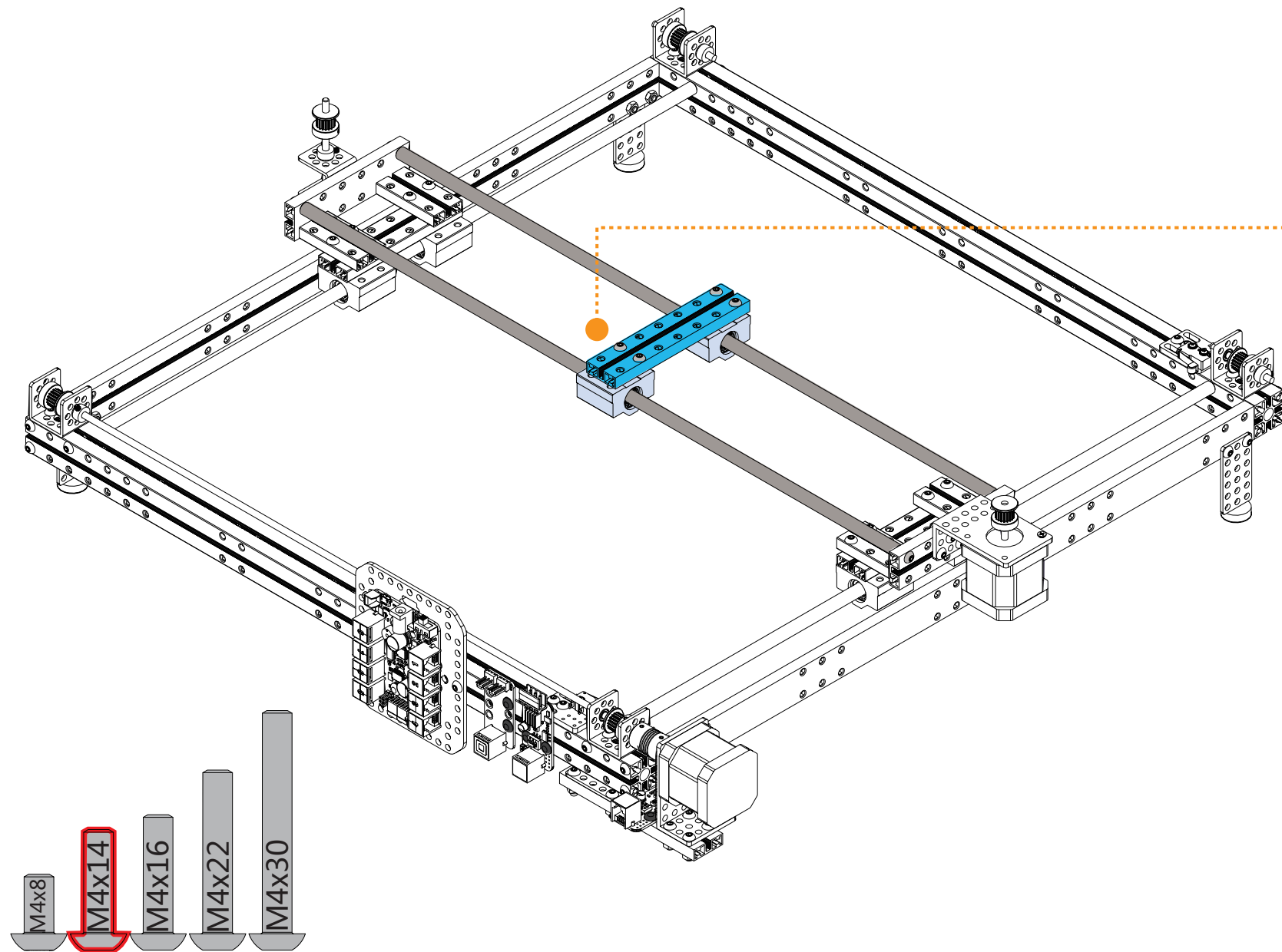
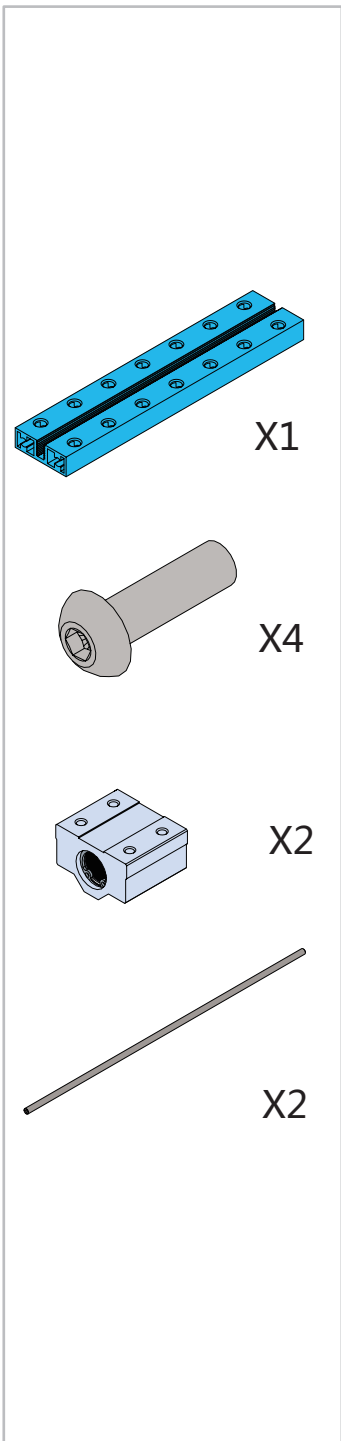
-  X1
-  X1
-  X2
-  X2
-  X3
-  X1
-  X1
-  X2
-  X4

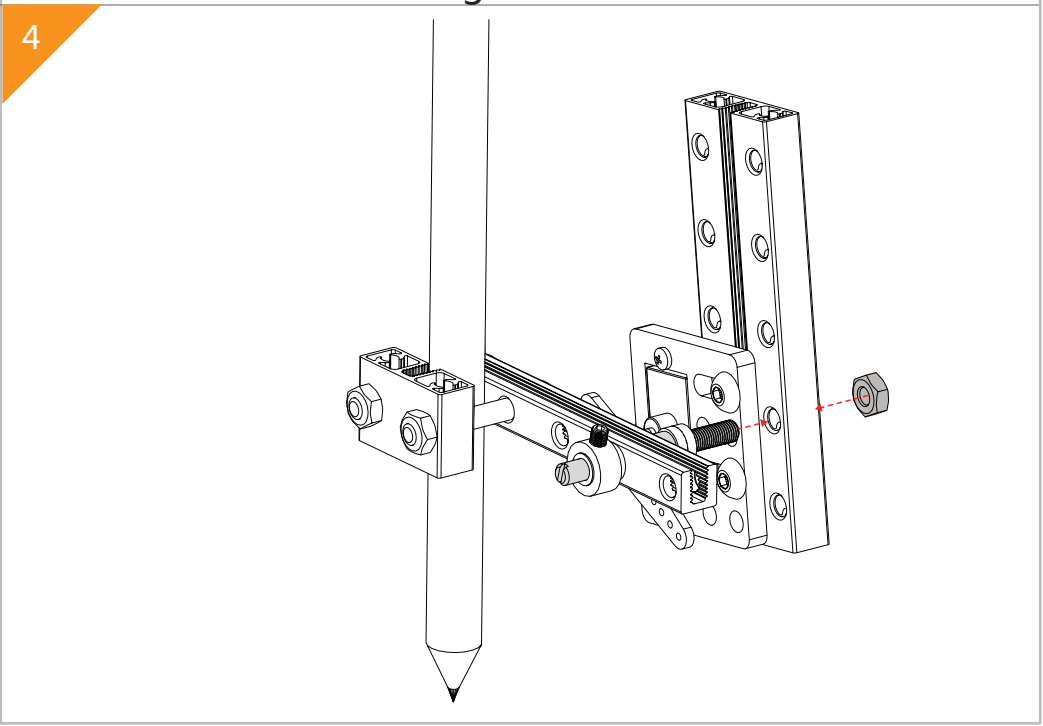
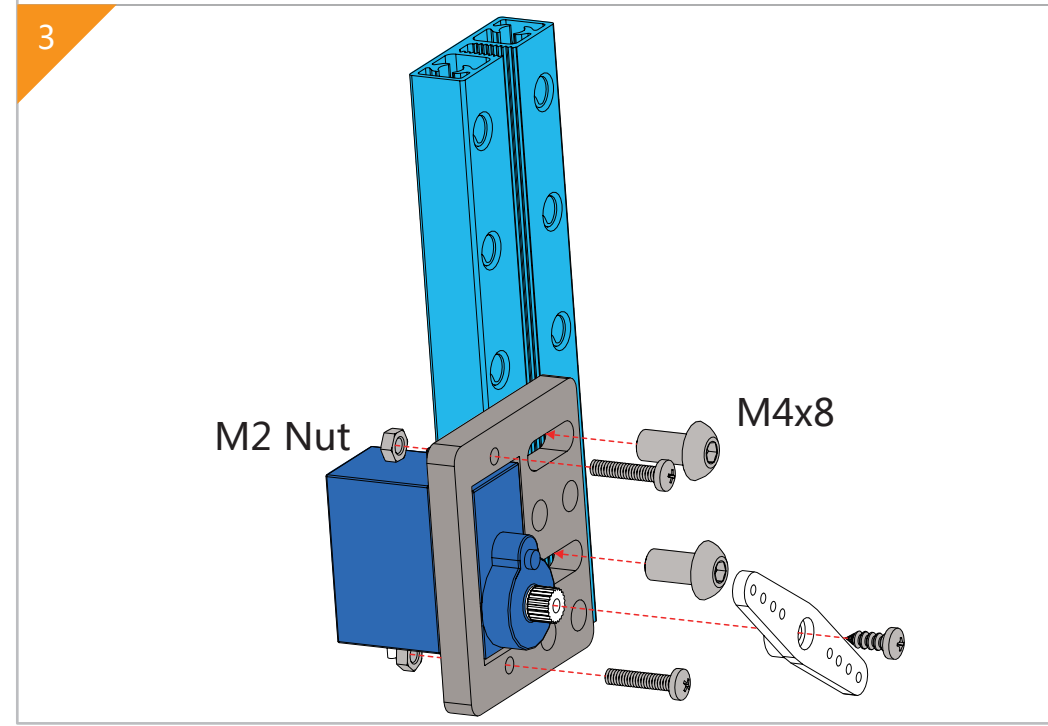
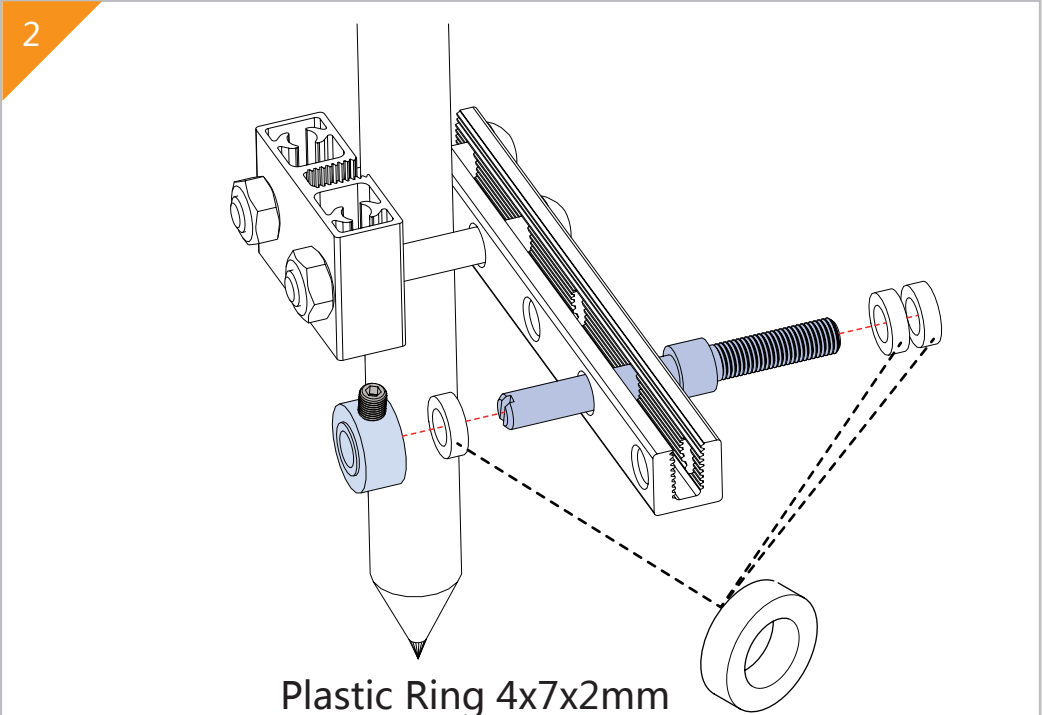
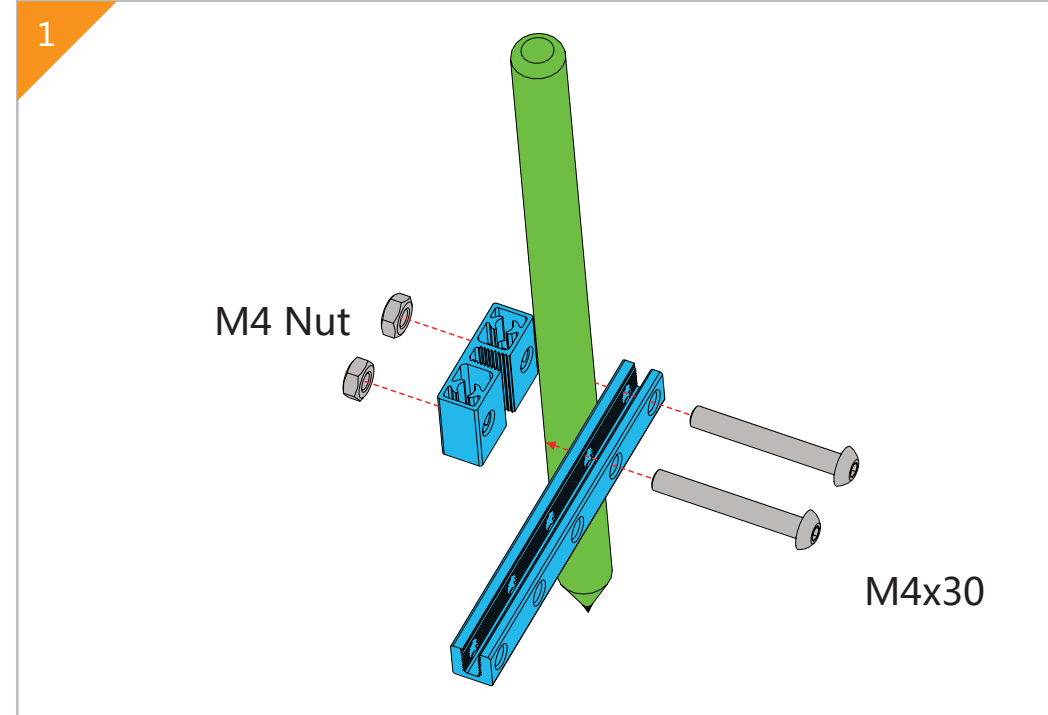
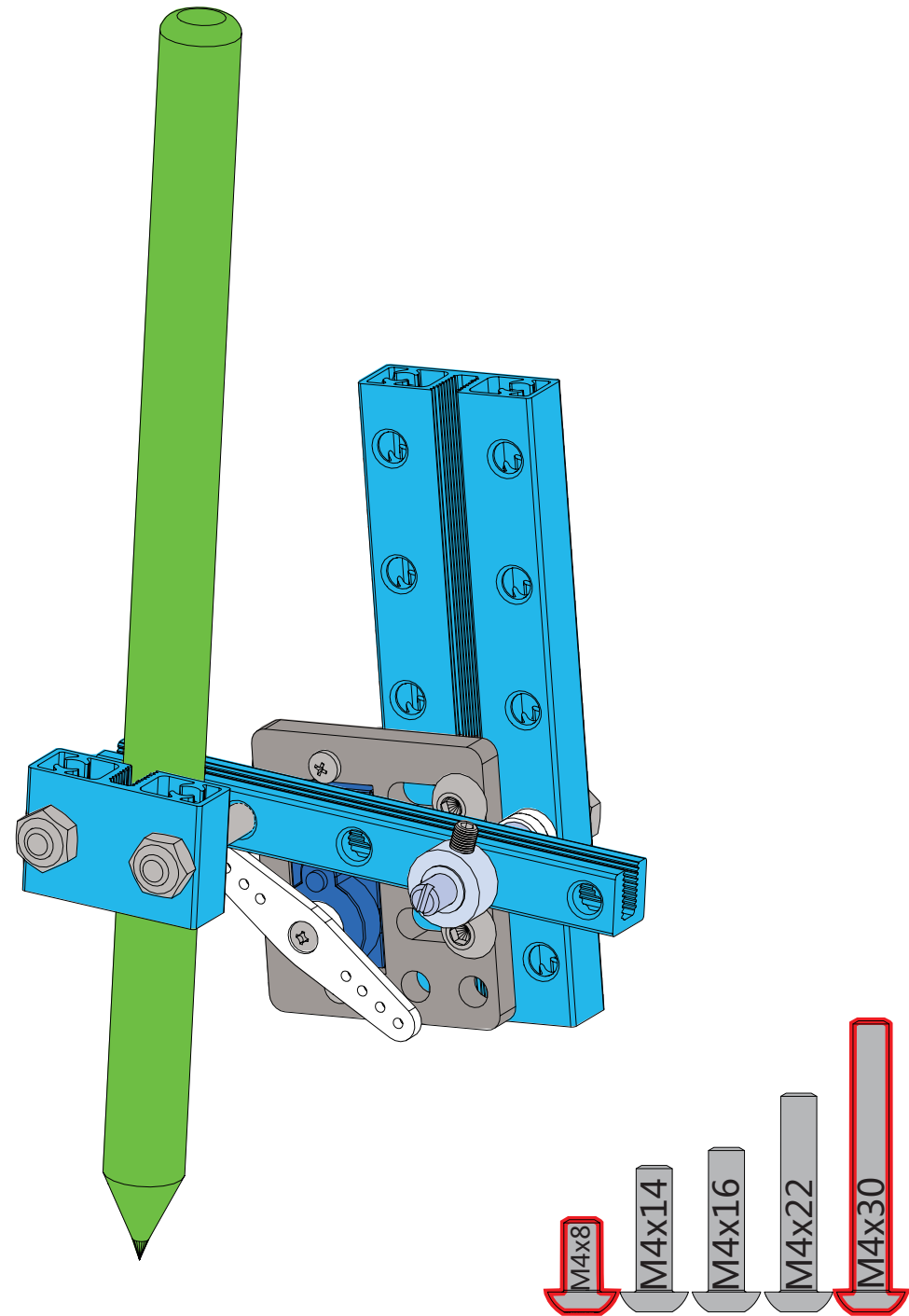
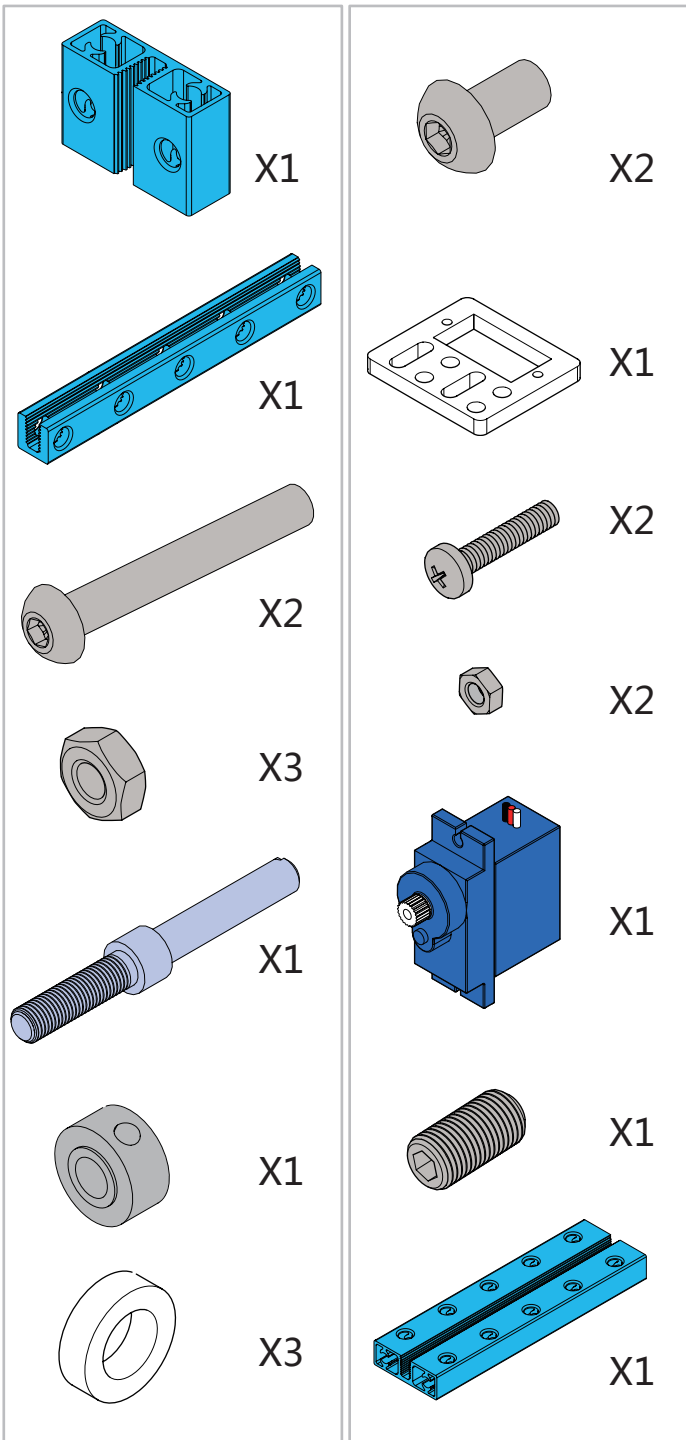


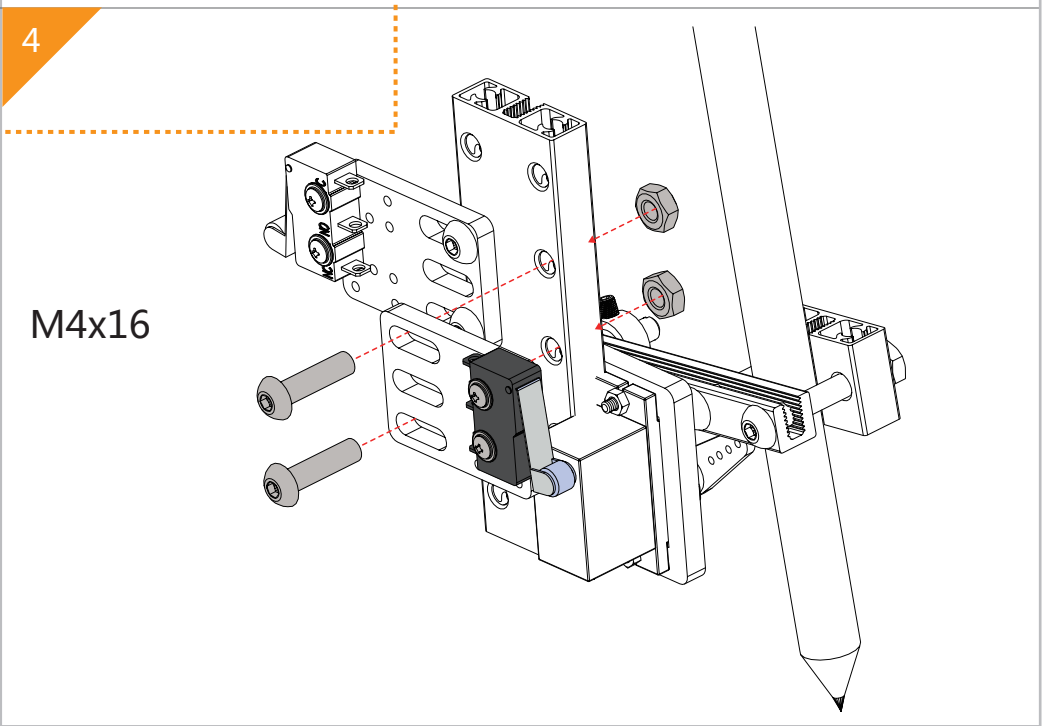
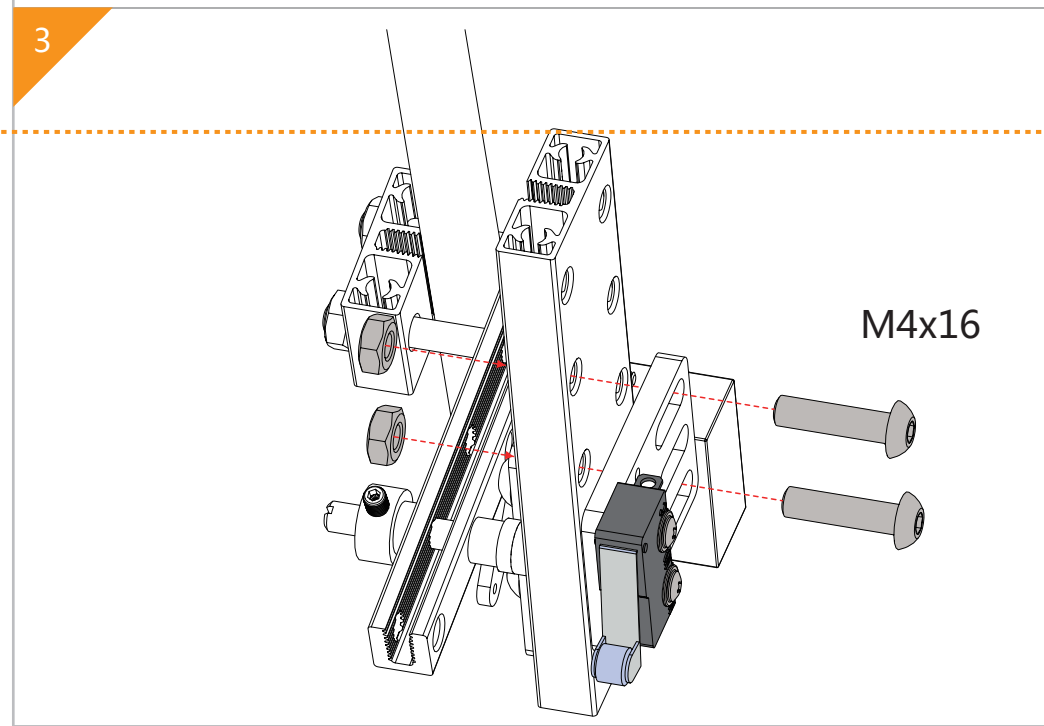
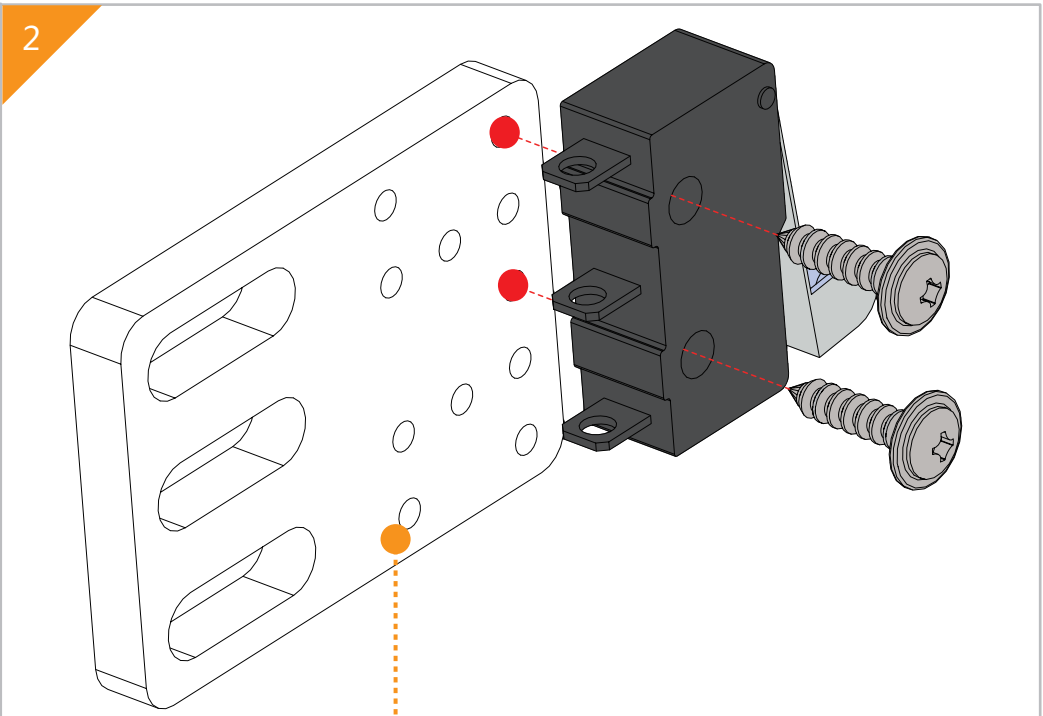
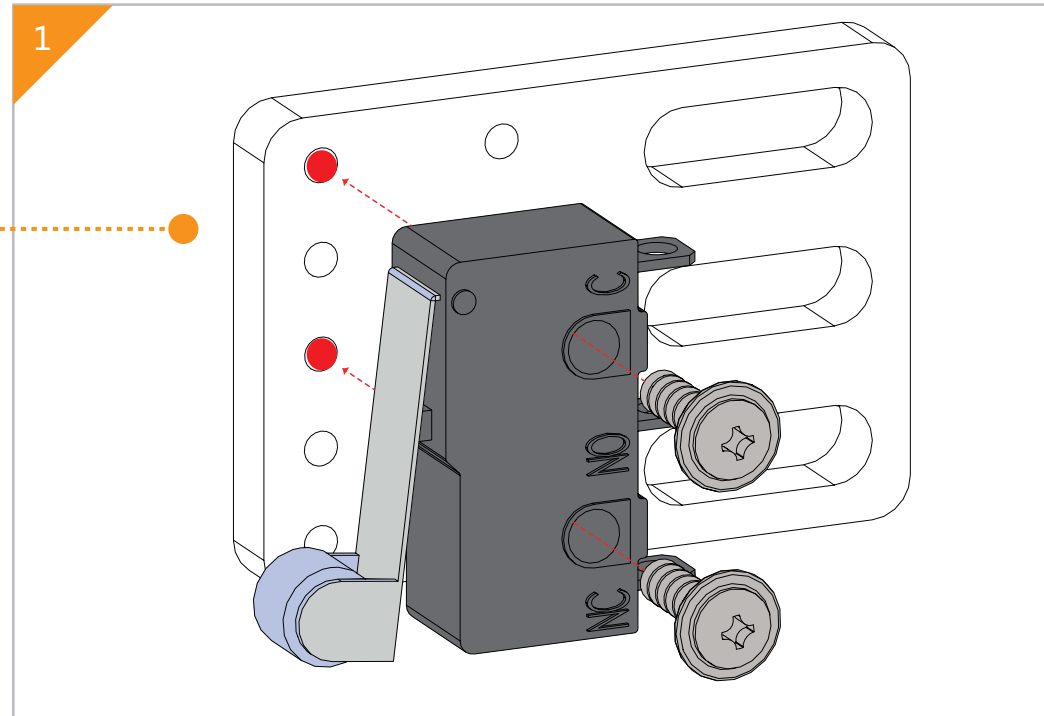
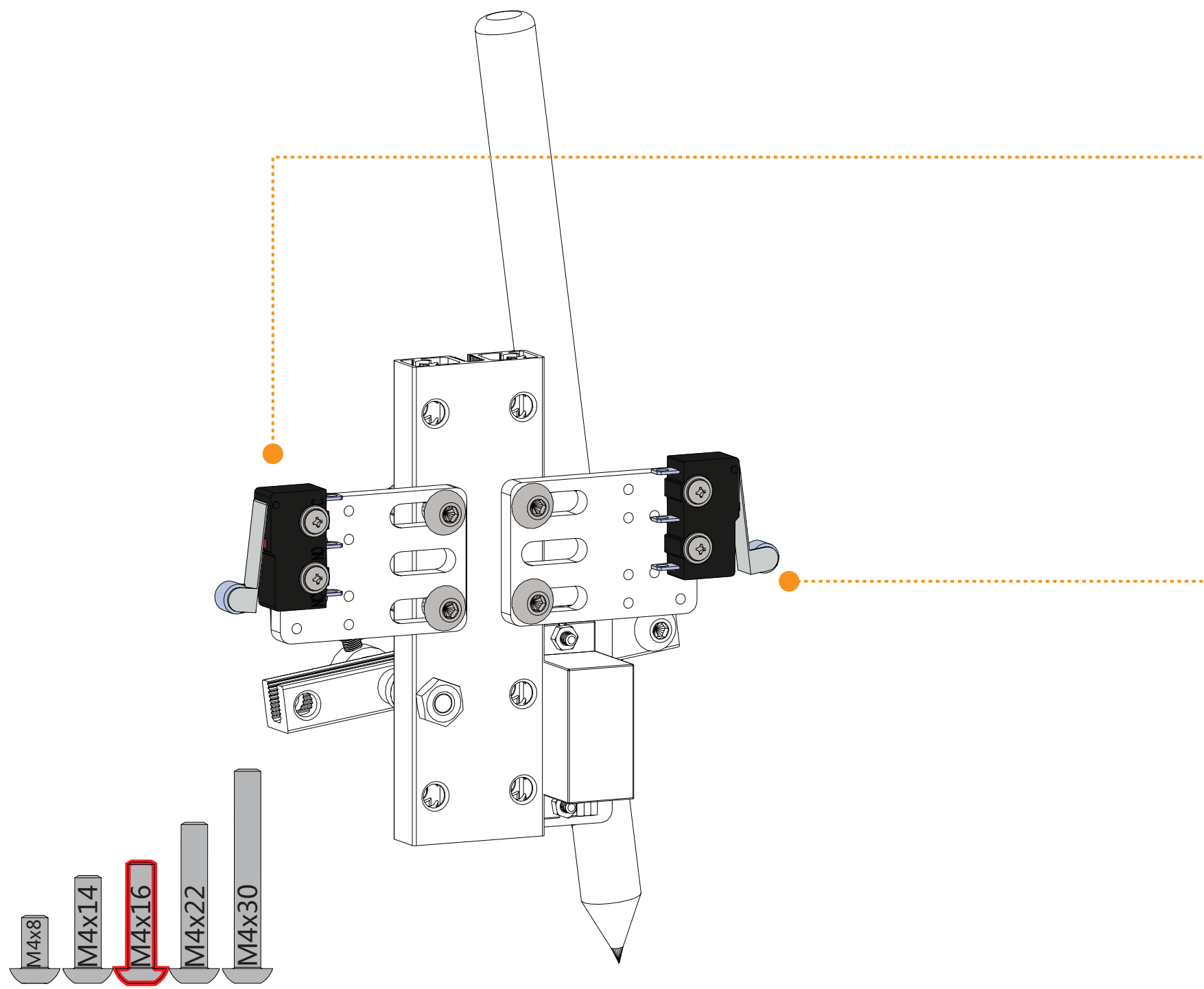
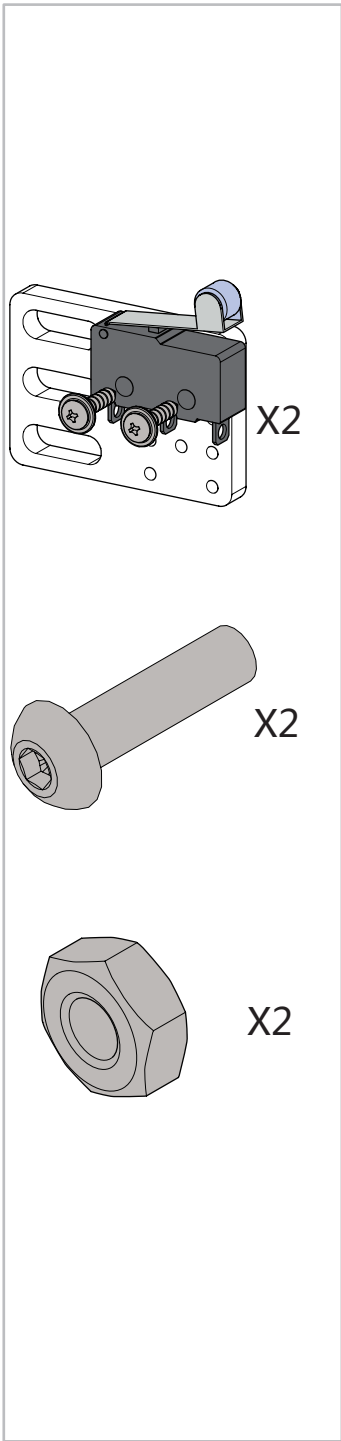
-  M4x8
-  M4x14
-  M4x16
-  M4x22
-  M4x30



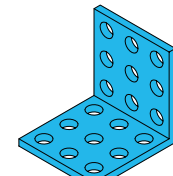
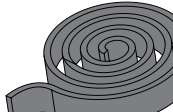
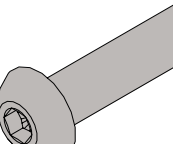
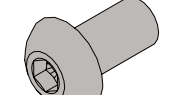
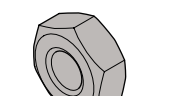
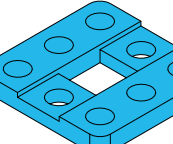
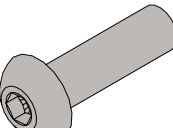
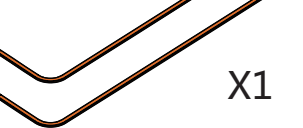


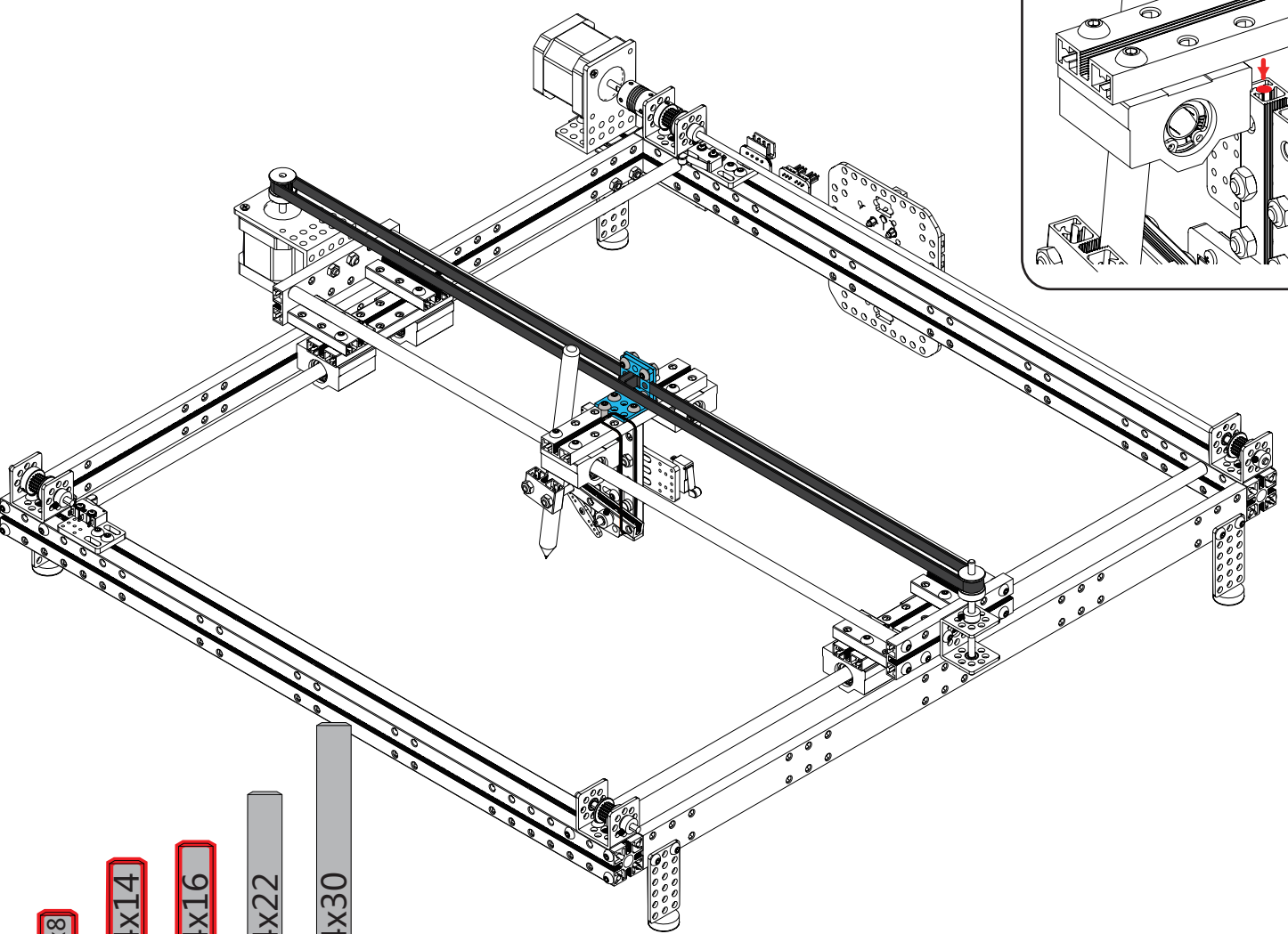









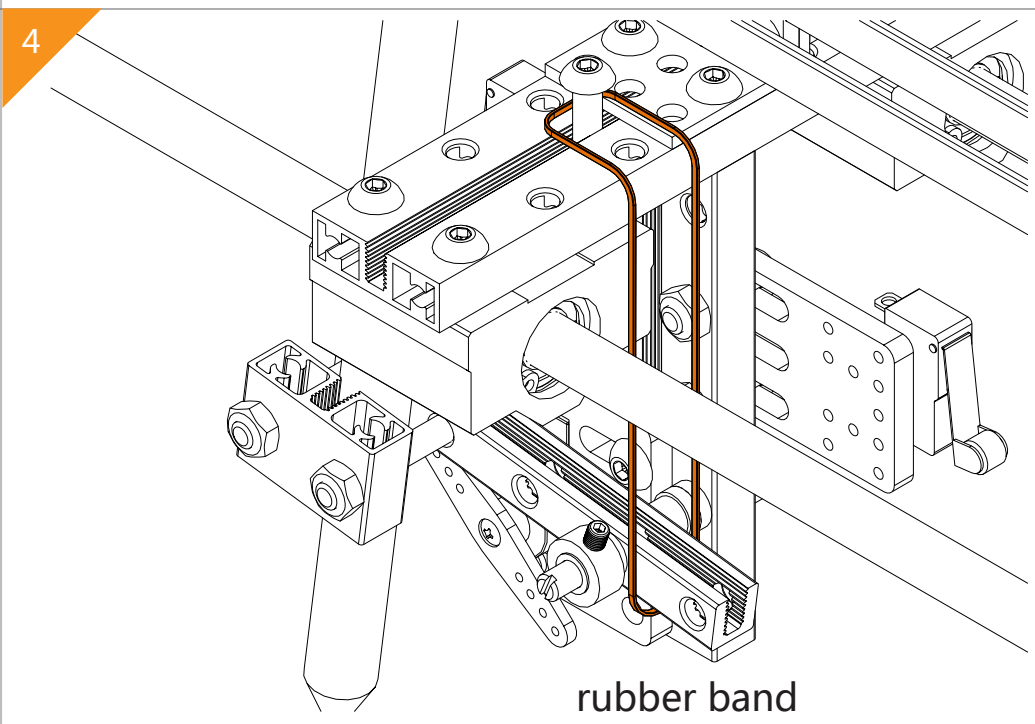
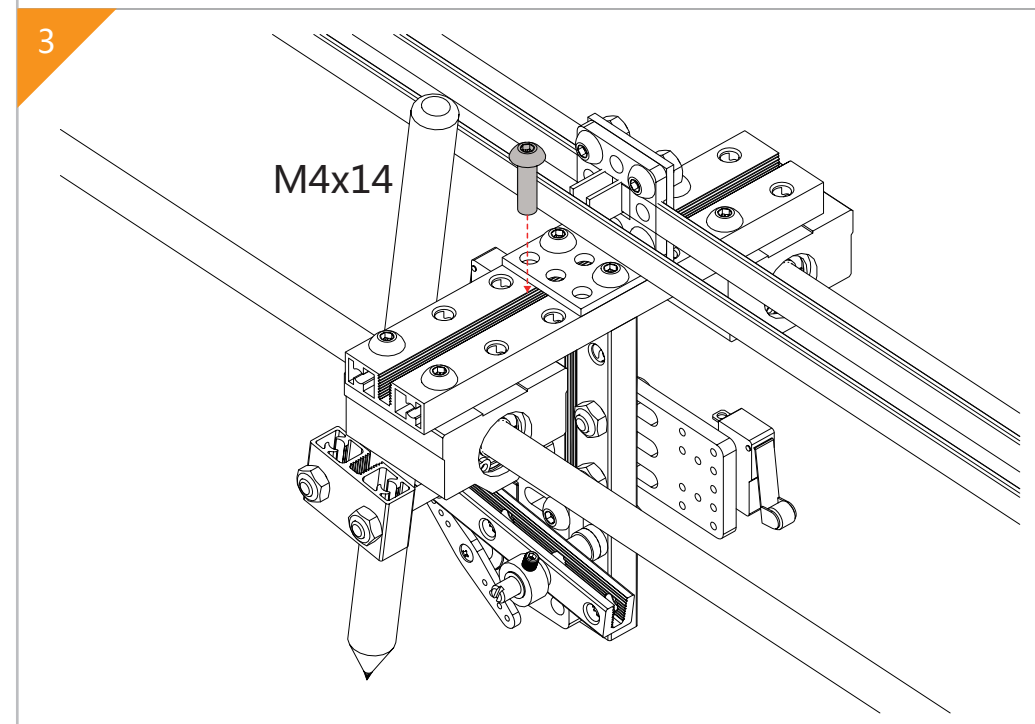
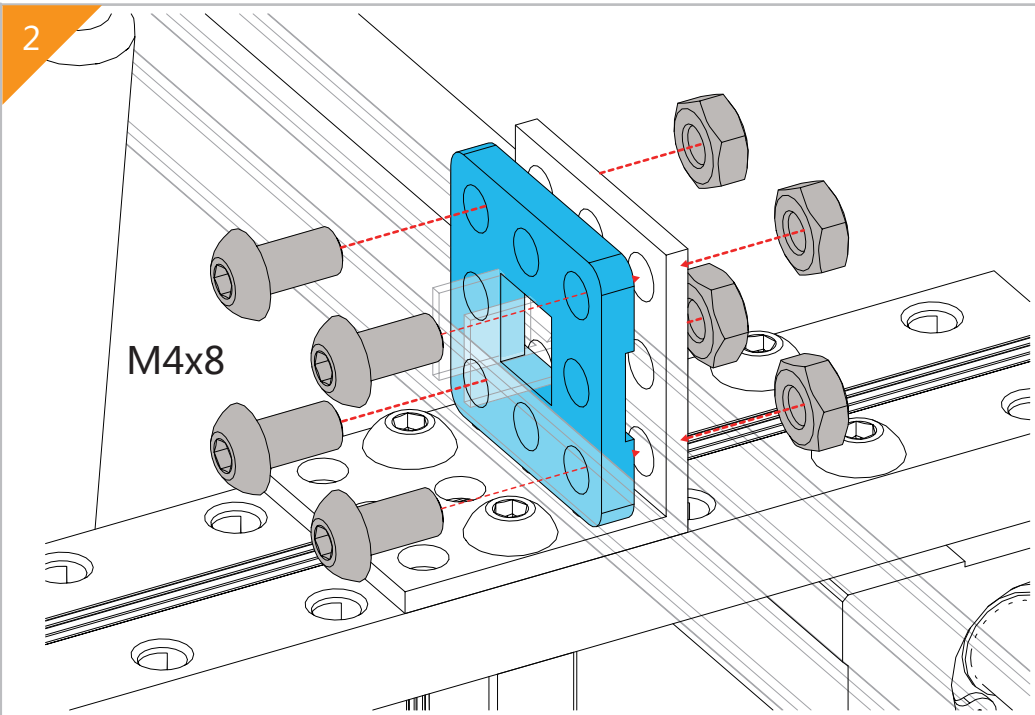
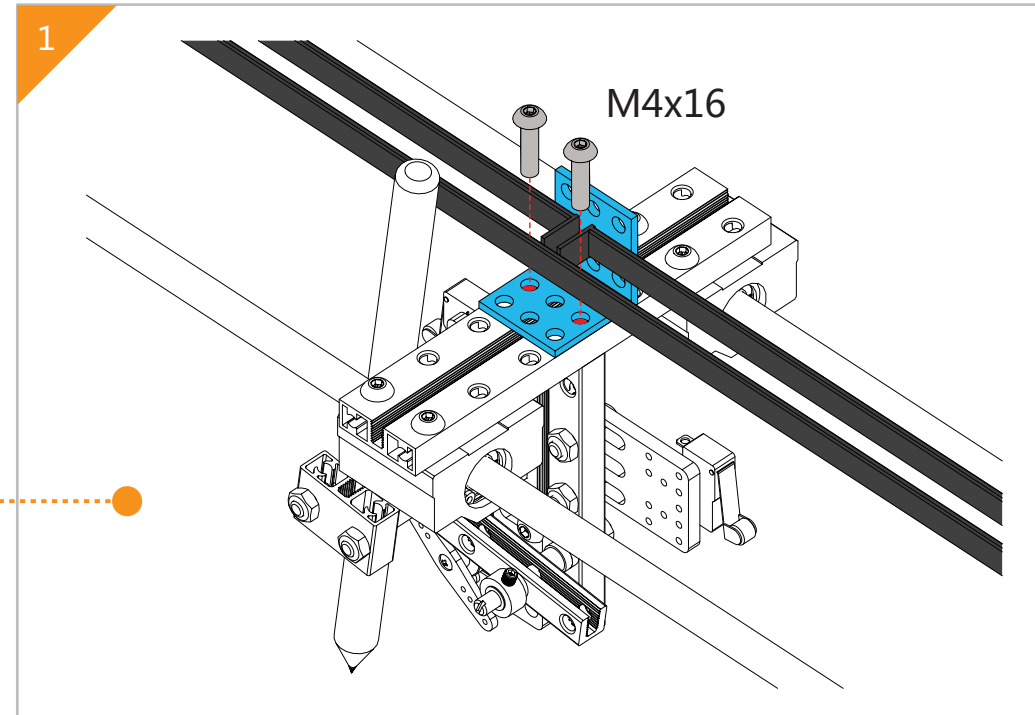
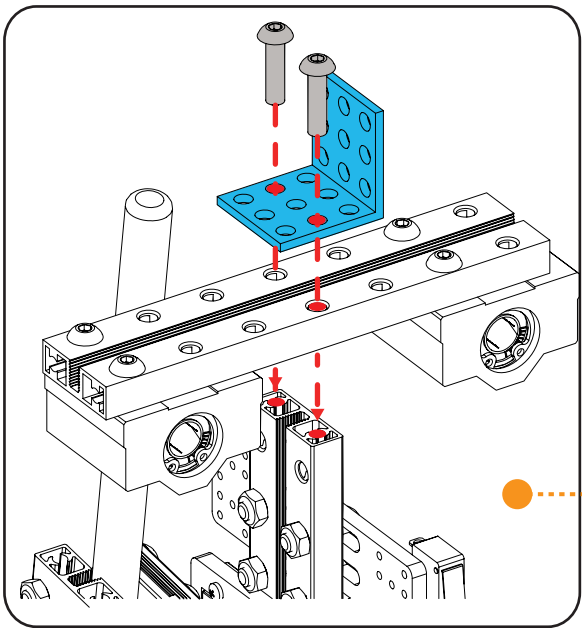


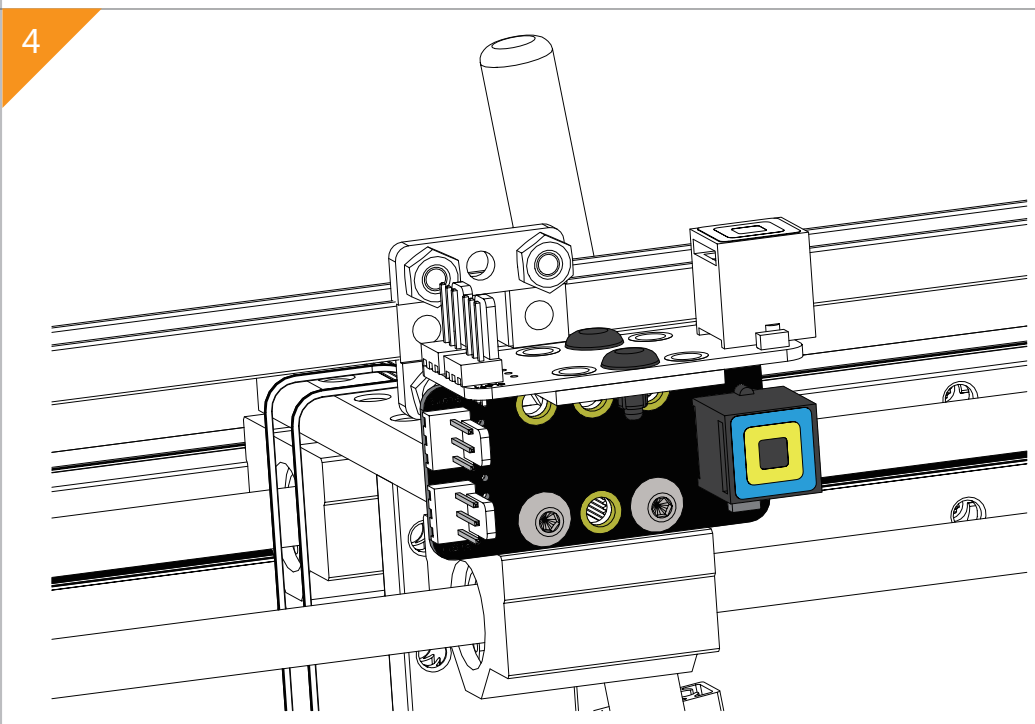
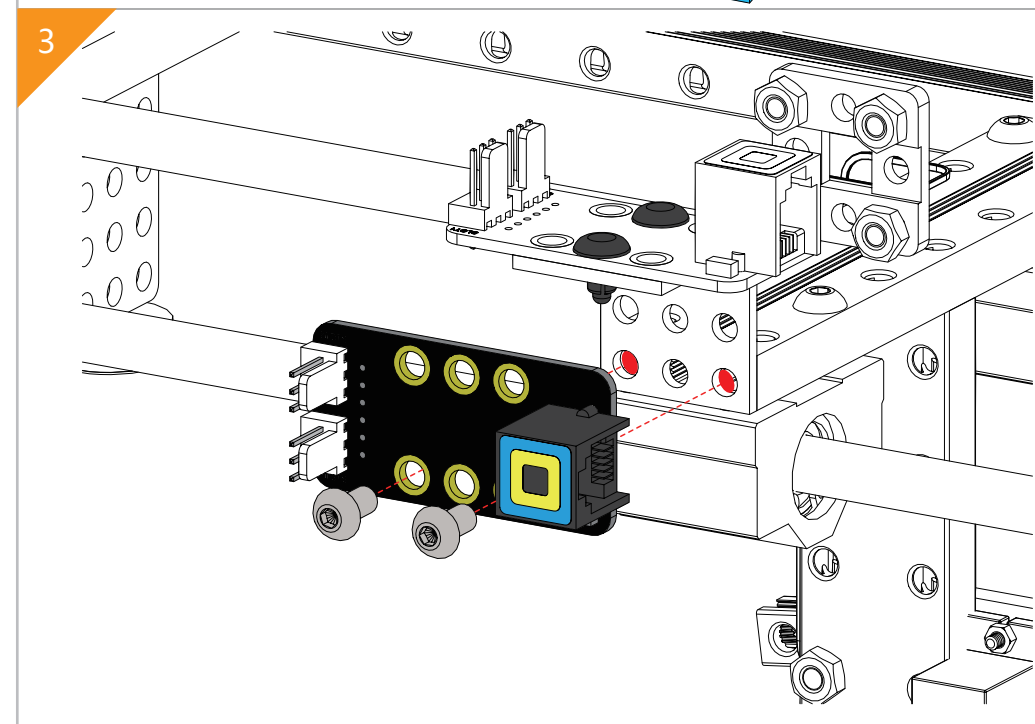
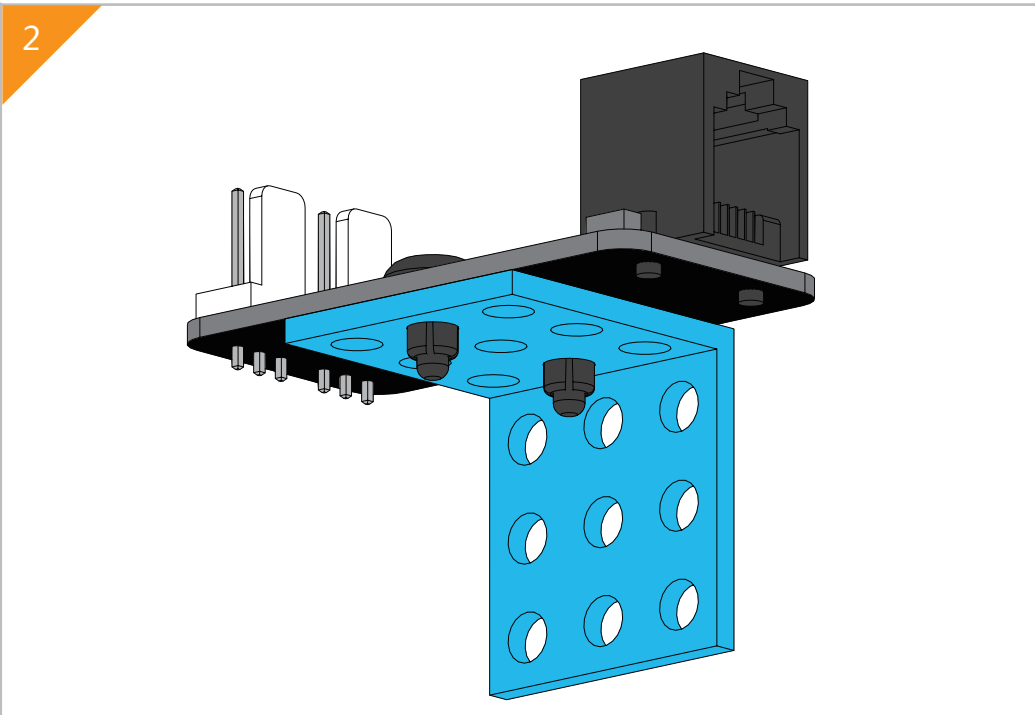
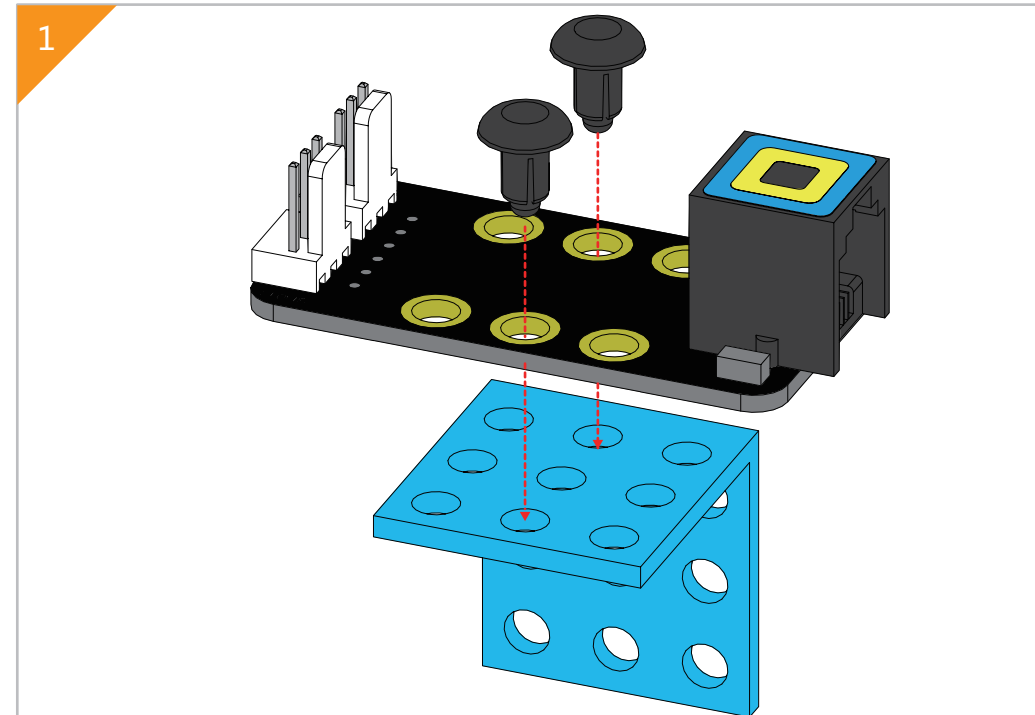
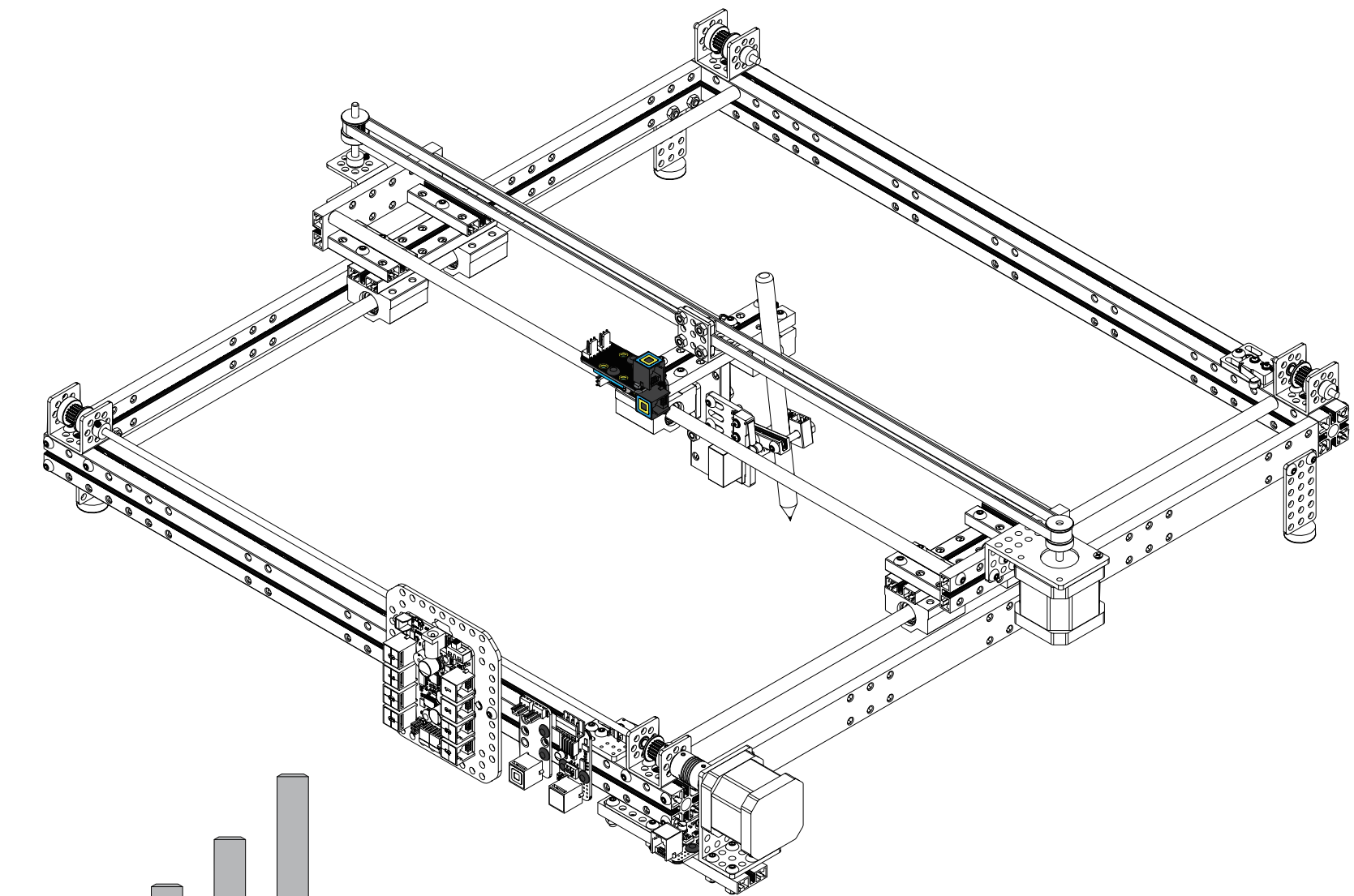
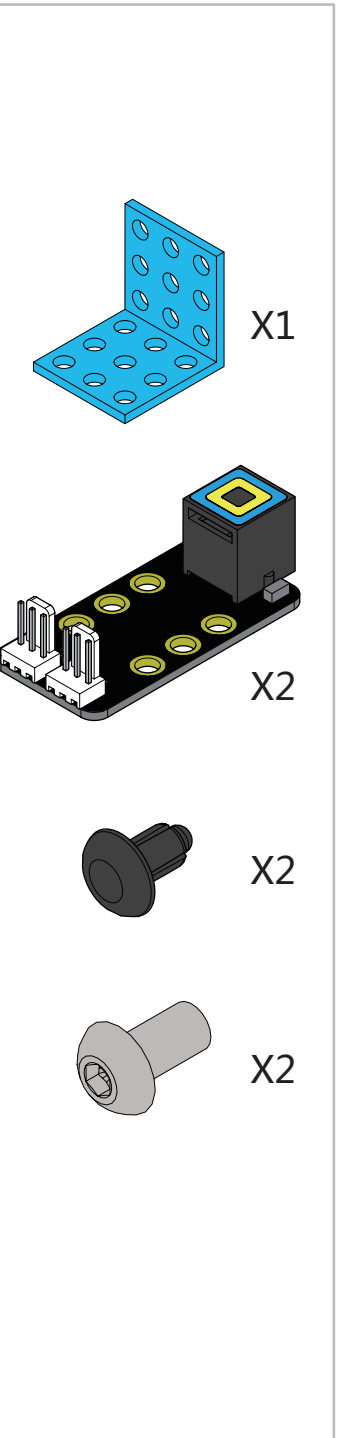


-  X1
-  X1
-  X2
-  X4
-  X4
-  X1
-  X1
-  X1

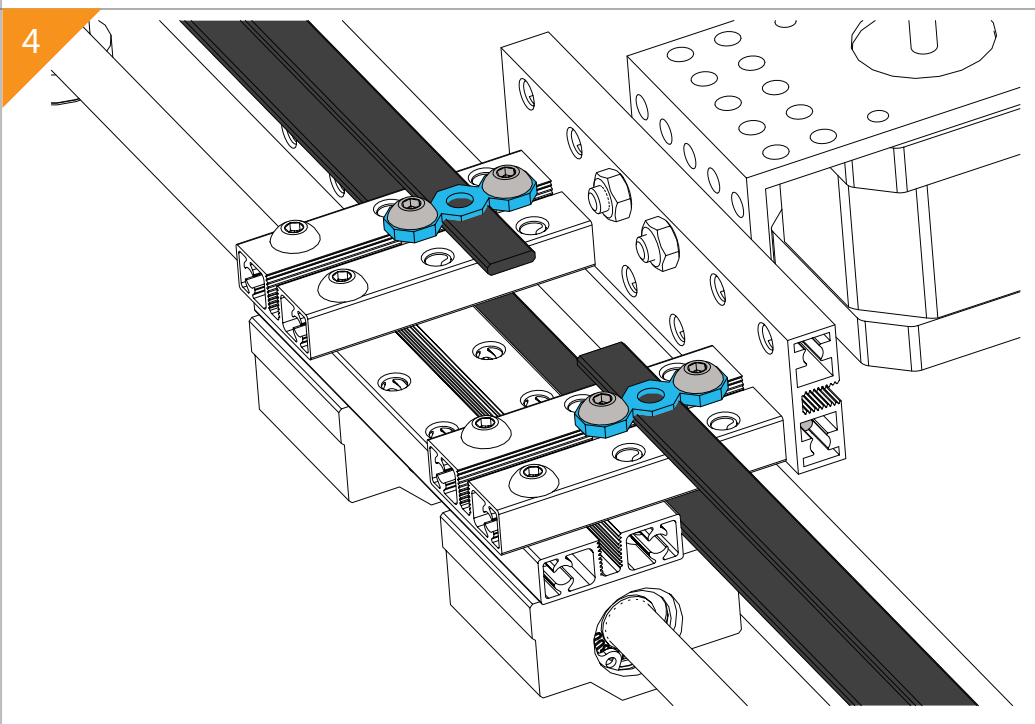
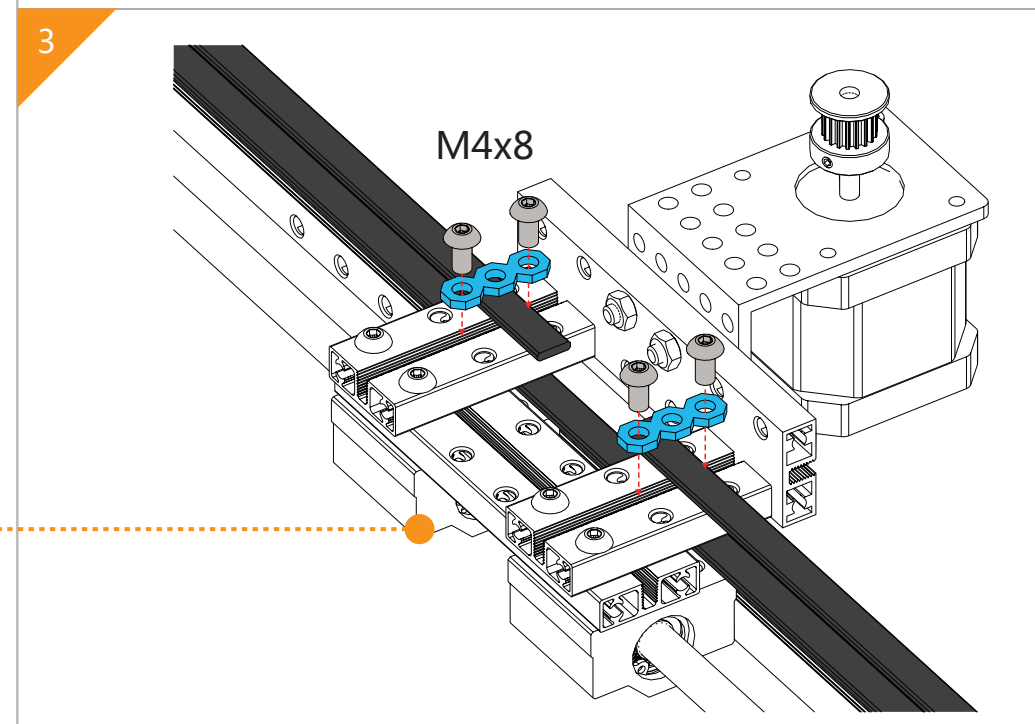
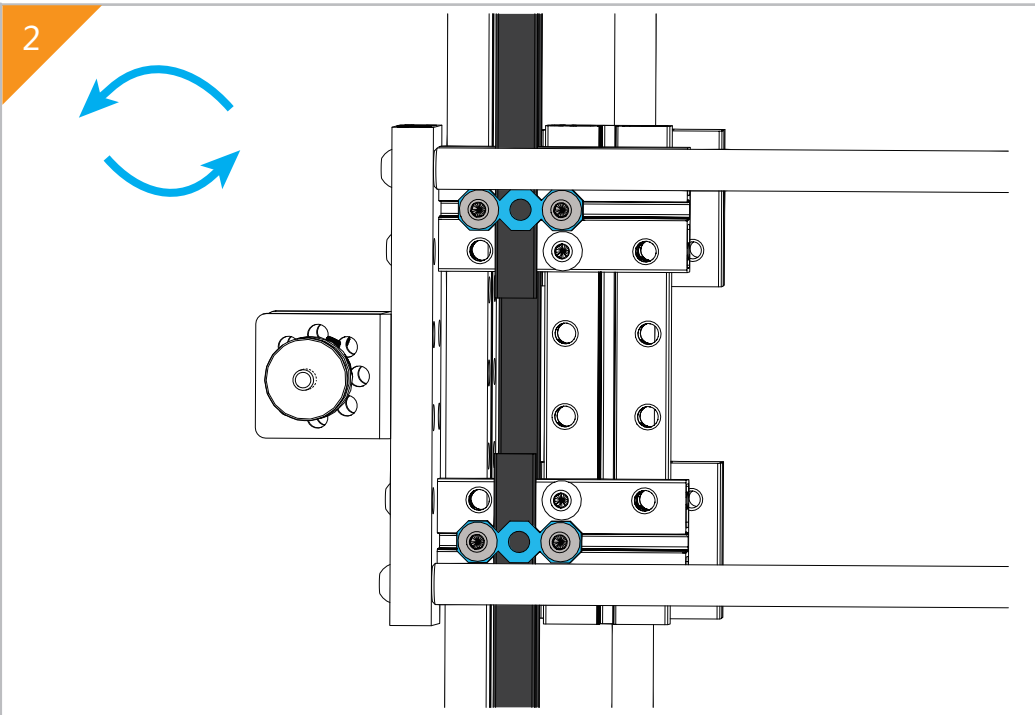
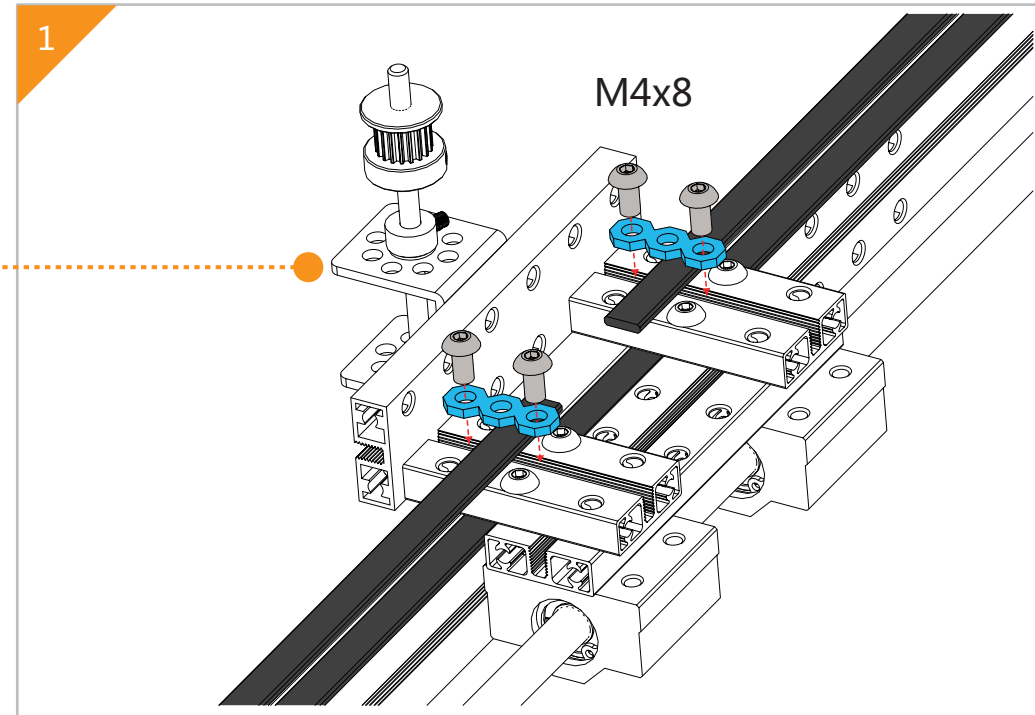
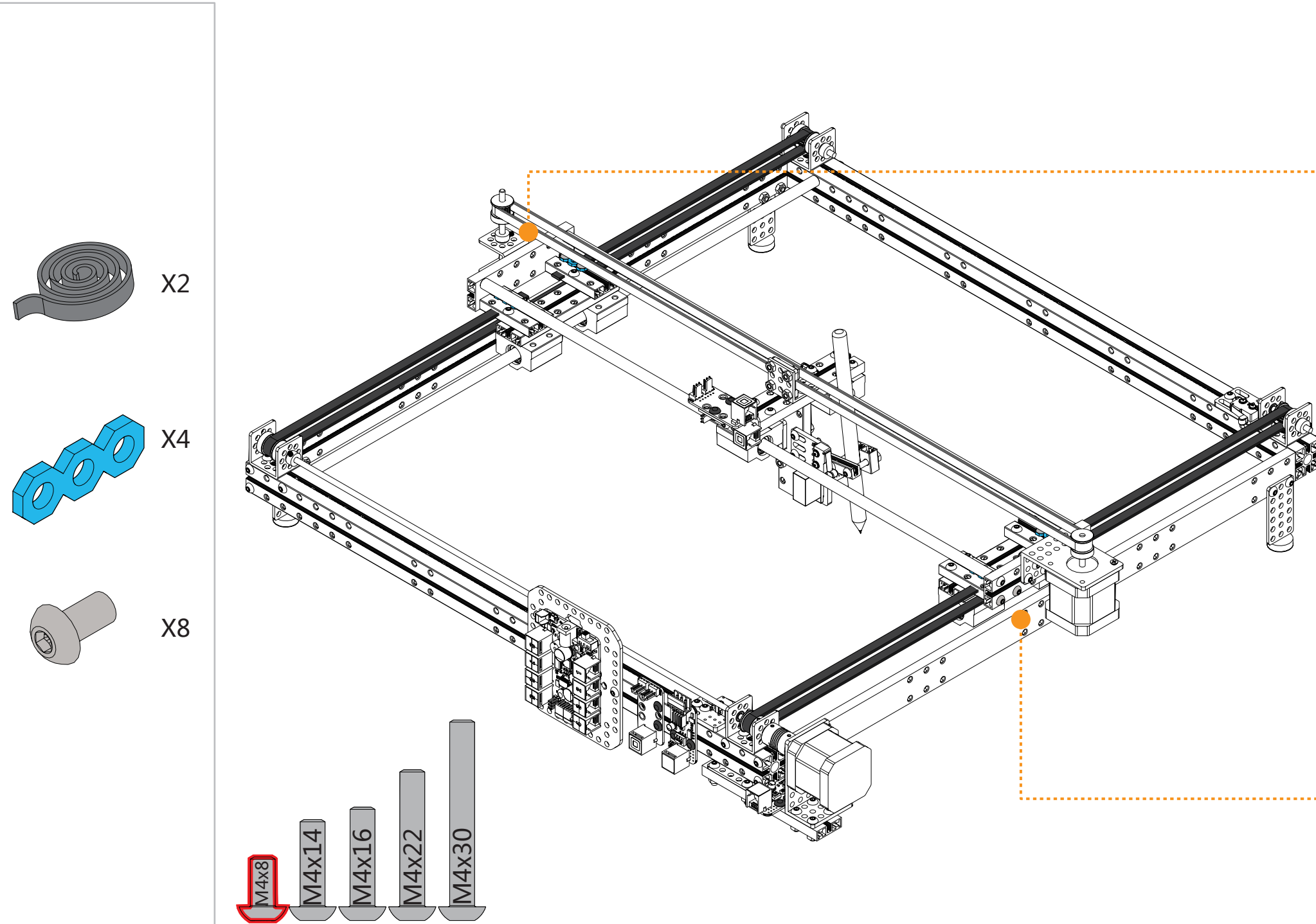


-  M4x8
-  M4x14
-  M4x16
-  M4x22
-  M4x30

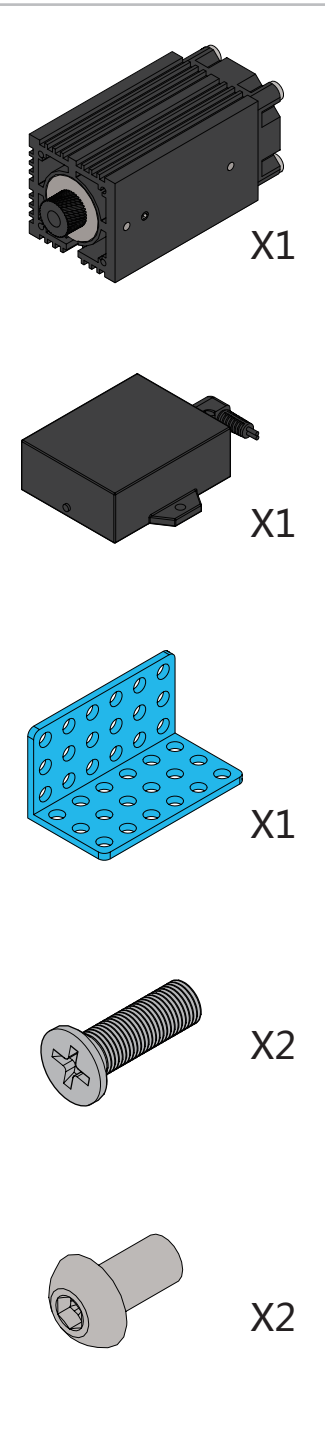












You need to buy a laser-engraver-upgrade-pack  
SKU:98003

